

MODEL:

# TLP310USBCW

## Protect It!® Surge Protector with USB Charging and Desk Clamp



Adjustable  
Mounting Desk  
Clamp



510 Joule Rating



3 Outlets



2 USB  
Charging Ports

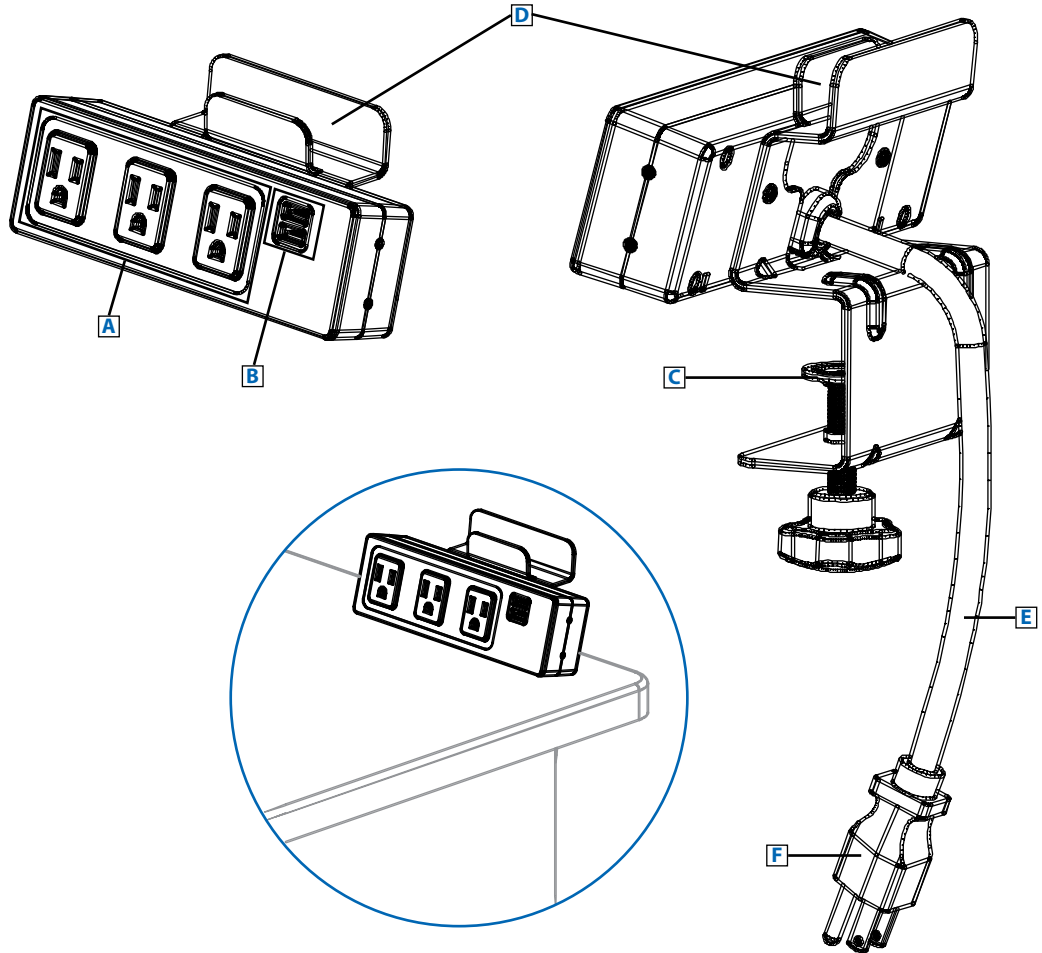


Certified to  
UL 962A



\$20,000 Ultimate  
Lifetime Insurance

- A** NEMA 5-15R Surge-Protected Outlets (3) (510 Joule Rating)
  - B** USB Charging Ports (2) (Up to 3.1A total)
  - C** Adjustable Mounting Clamp (Certified to UL 962A and may be permanently mounted.)
  - D** Device Slot (Holds smartphone or other mobile device.)
  - E** 10 ft. Input Power Cord
  - F** NEMA 5-15P Input Plug
- Also Includes: Owner's manual and mounting hardware (2 m3-24T 12 mm screws).



- Certified to UL 962A and may be permanently mounted to desks, tables and other flat surfaces
- Device slot safely holds smartphone or other portable device
- Two USB charging ports (up to 3.1A total) provide fast charging of portable devices

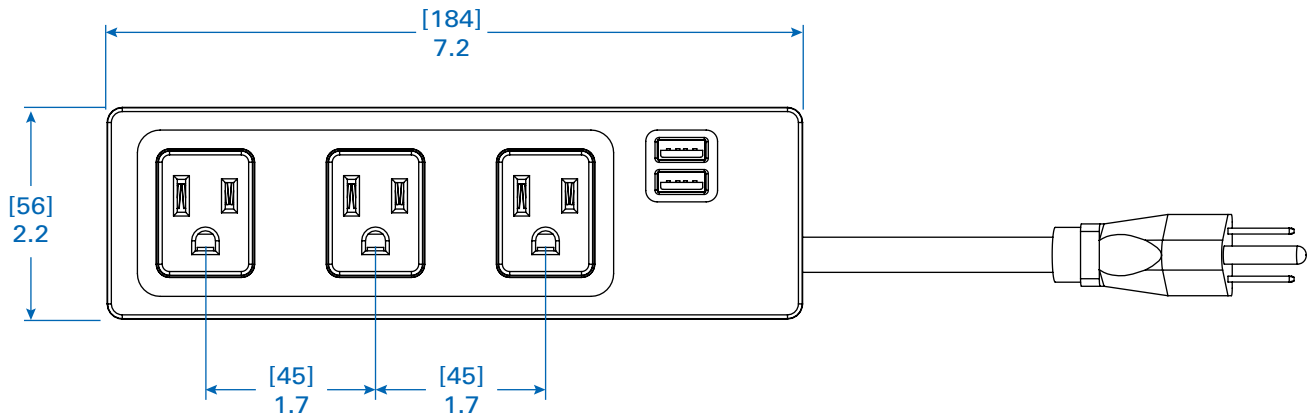
**SEE NEXT PAGE FOR DETAILED UNIT MEASUREMENTS**

### Specifications

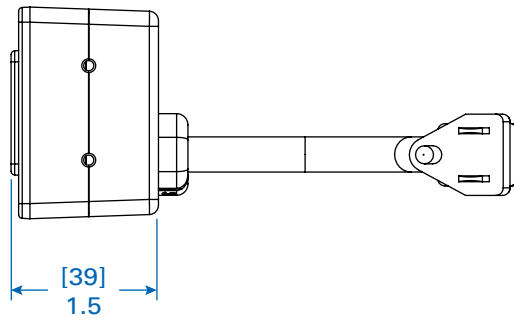
Model	TLP310USBCW
Unit Dimensions (H x W x D)	1.94 x 1.76 x 5.51 in. / 49 x 45 x 140 mm
Shipping Dimensions (H x W x D)	8.1 x 4.3 x 5.3 in. / 206 x 109 x 135 mm
Unit Weight	2.34 lb. / 1 kg
Shipping Weight	2.8 lb. / 1.2 kg
Standards	Certified to UL 1449 & UL 962A; Meets NOM & RoHS Standards



1111 W. 35th Street  
Chicago, IL 60609 USA  
773.869.1234  
www.tripplite.com



FRONT VIEW

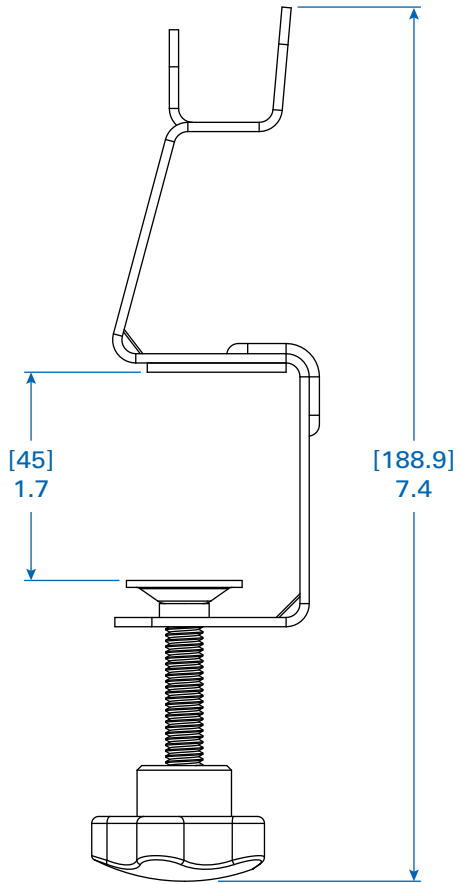


SIDE VIEW

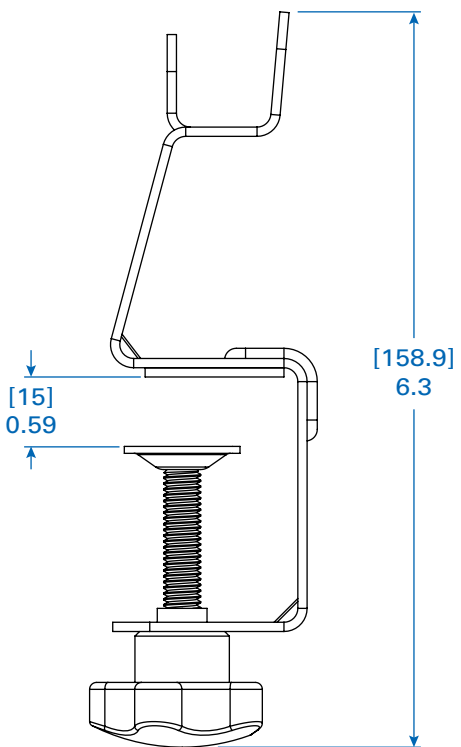
Dimensions: [mm] INCHES

Tripp Lite has a policy of continuous improvement. Specifications are subject to change without notice.

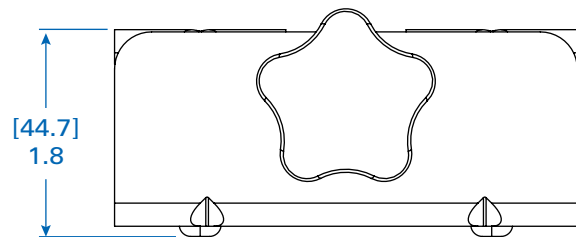
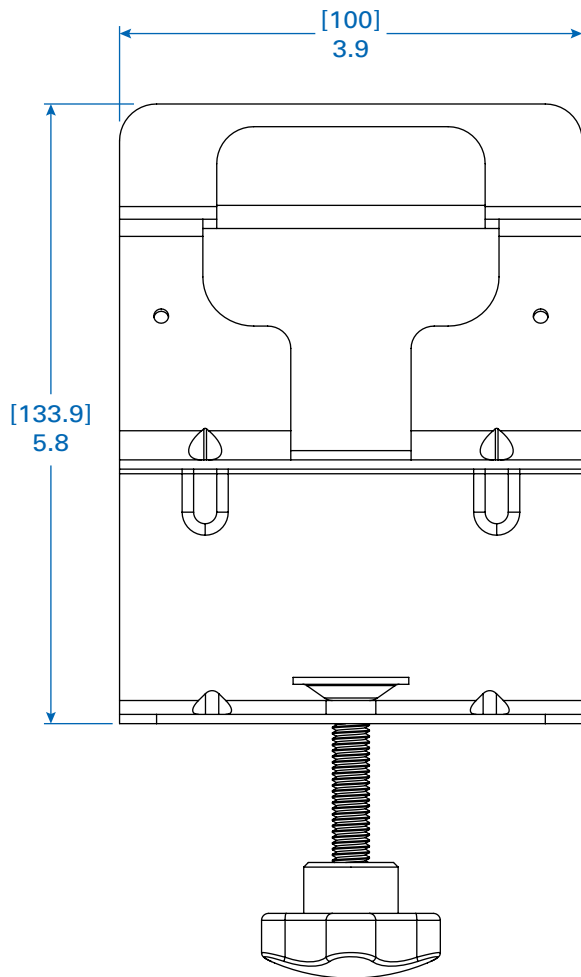
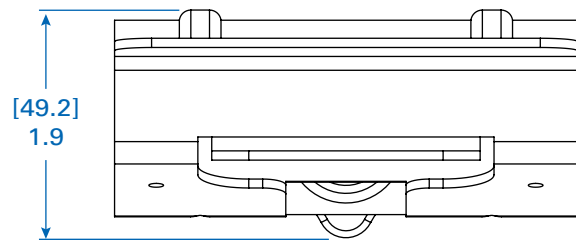
MODEL:  
**TLP310USBCW**  
**TRIPP·LITE**



MAX. TABLE THICKNESS



MIN. TABLE THICKNESS



MODEL:  
**TLP310USBCW**



1111 W. 35th Street  
Chicago, IL 60609 USA  
773.869.1234  
www.triplite.com

Dimensions: [mm] INCHES

Tripp Lite has a policy of continuous improvement. Specifications are subject to change without notice.