

SmartOnline® SVX-Series 3-Phase UPS Systems

Large Frame (42U) without Battery Modules

Maximum Current and Power Cable Configuration

Note: use copper wire with minimum temperature rating of 221°F (105°C).

	SVX30KL	SVX60KL	SVX90KL	SVX120KL	SVX150KL	SVX180KL	SVX210KL7P
Max Input Current	55A	110A	165A	220A	275A	330A	385A
Rec. OCPD (A)	Rec. OCPD approx. 125% of Max AC Input Current						
Power & Ground Cable	6 AWG 13 mm ²	1 AWG 42 mm ²	3/0 AWG 85 mm ²	250 MCM 126 mm ²	300 MCM 152 mm ²	600 MCM 300 mm ²	600 MCM 300 mm ²
Fixation Torque Force	2.26 N-m						
Heat Dissipation (BTU/hr)	5221	10851	16276	21701	27127	33166	38694
Dimensions (HxWxD mm)	2010 x 600 x 1100						
Weight (kg)	307.5	342	376.5	411	445.5	480	514.5
Floor Loading (kg/m ²)	466	518	570.5	623	675	727	779.5

Note: Terminal stud size is M8 screw and nut.

DC Input Maximum Current and Power Cable Configuration

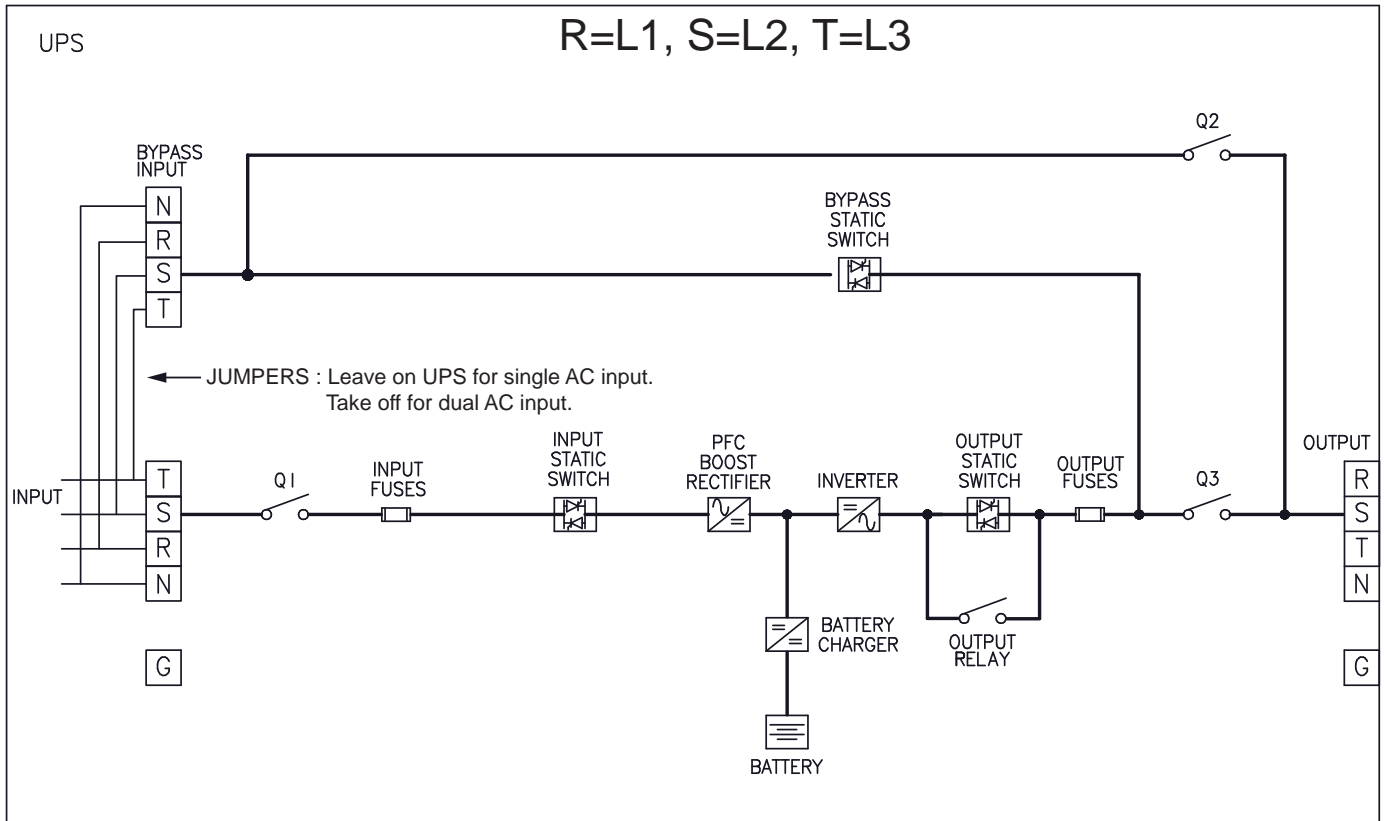
Nominal Battery Voltage: +/-240V DC

	SVX30KL	SVX60KL	SVX90KL	SVX120KL	SVX150KL	SVX180KL	SVX210KL7P
Rec. Ext. Batt. Breaker	100A	200A	300A	400A	500A	600A	700A
Power & Ground Cable	3 AWG 25 mm ²	4/0 AWG 95 mm ²	300 MCM 150 mm ²	500 MCM 240 mm ²	250 MCM x 2 120 mm ² x 2	300 MCM x 2 150 mm ² x 2	500 MCM x 2 240 mm ² x 2
Fixation Torque Force	2.26 N-m						

Note: Terminal stud size is M8 screw and nut.



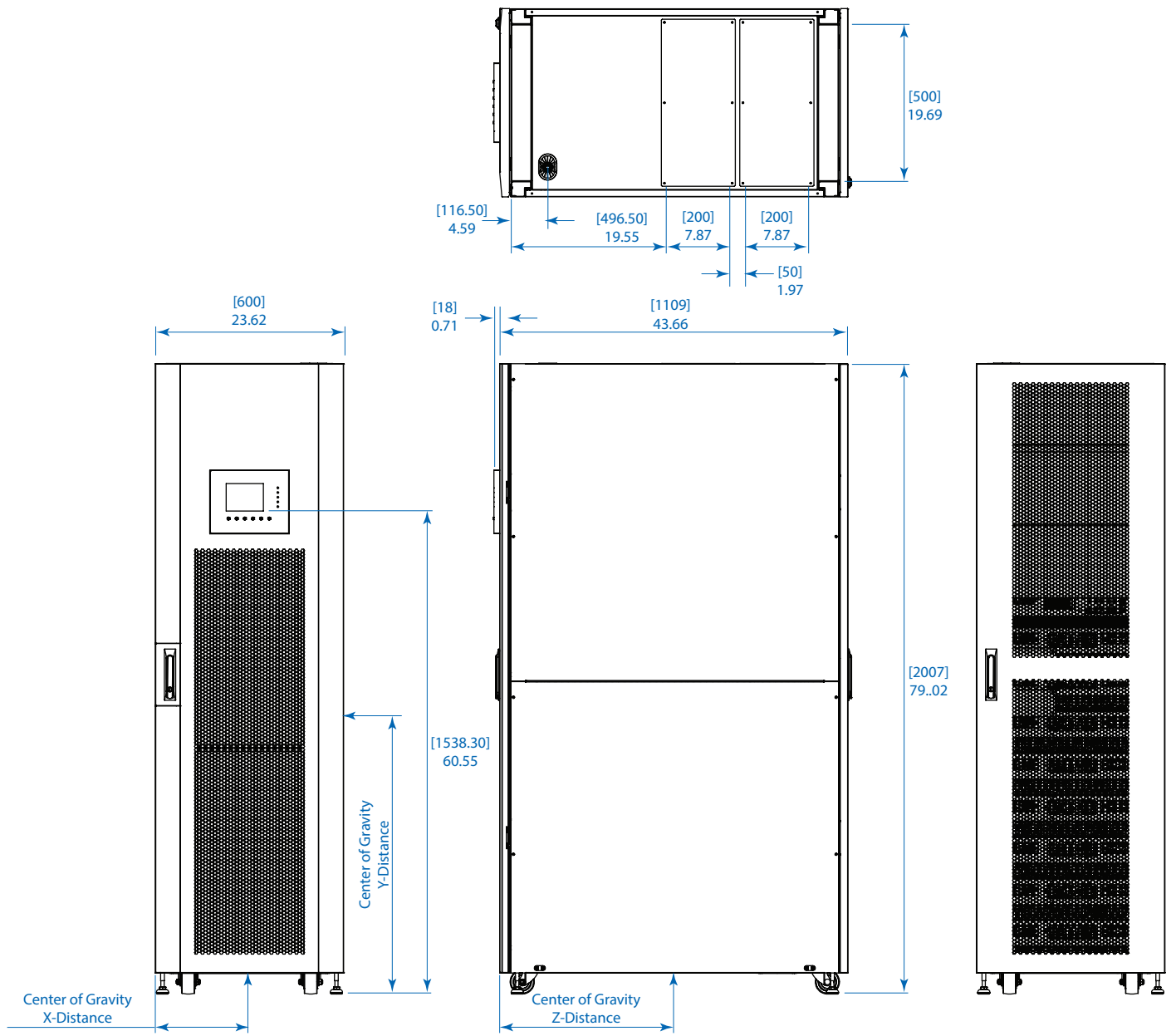
1111 W. 35th Street
Chicago, IL 60609 USA
773.869.1234
www.tripplite.com



**Large Frame (42U)
without Battery Modules**



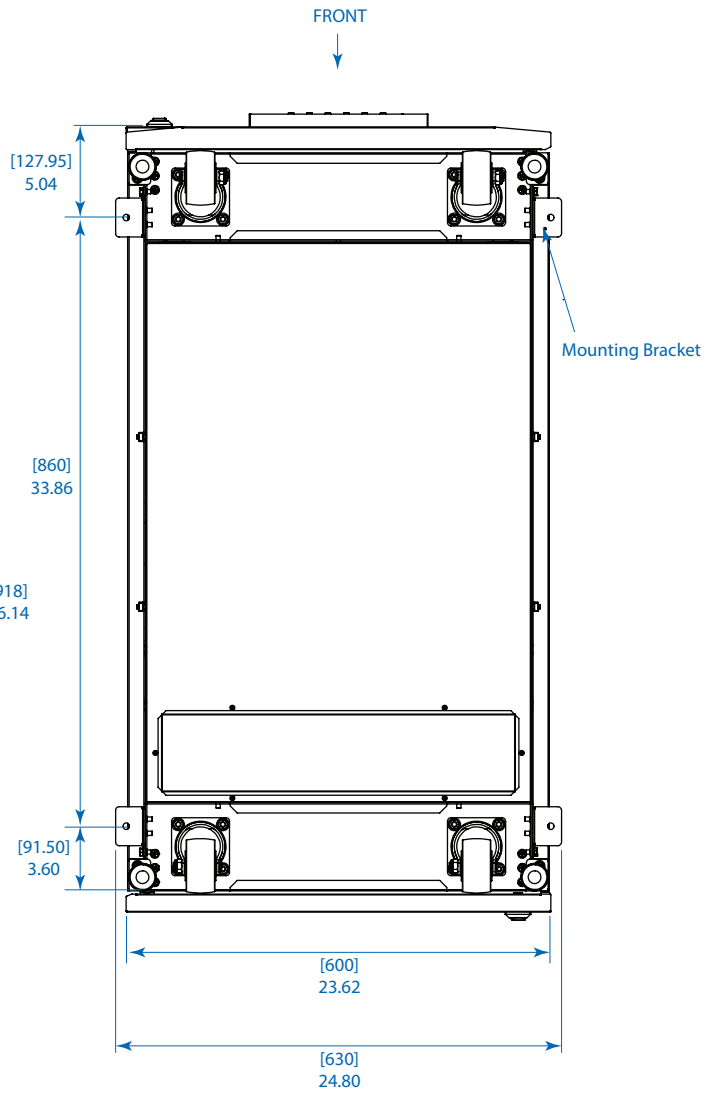
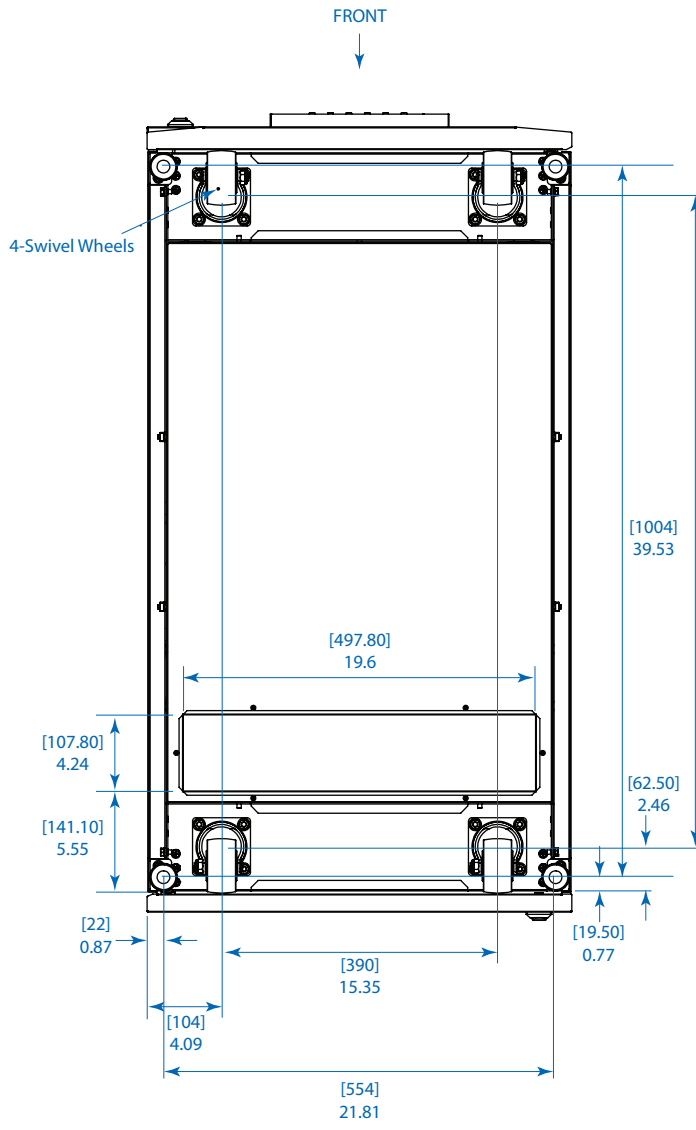
1111 W. 35th Street
Chicago, IL 60609 USA
773.869.1234
www.tripplite.com



Large Frame (42U)
without Battery Modules



1111 W. 35th Street
Chicago, IL 60609 USA
773.869.1234
www.tripplite.com

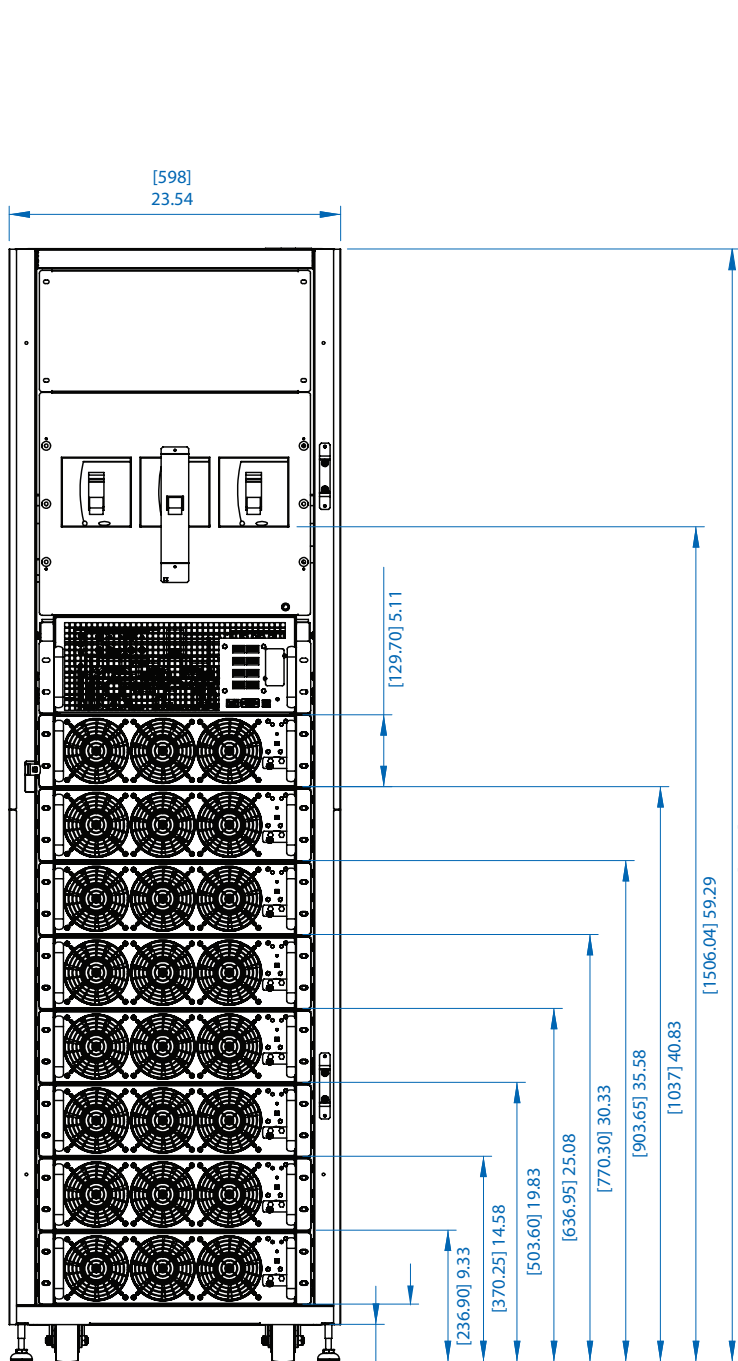


WITH ANCHORING DETAIL

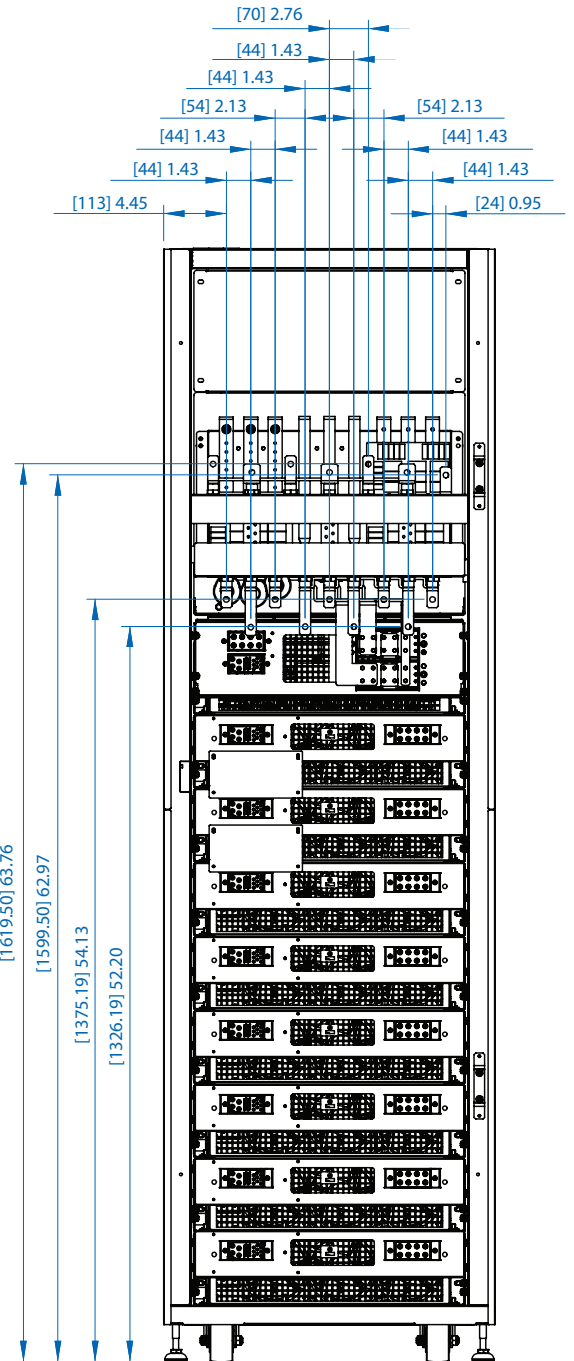
**Large Frame (42U)
without Battery Modules**



1111 W. 35th Street
Chicago, IL 60609 USA
773.869.1234
www.tripplite.com



FRONT VIEW

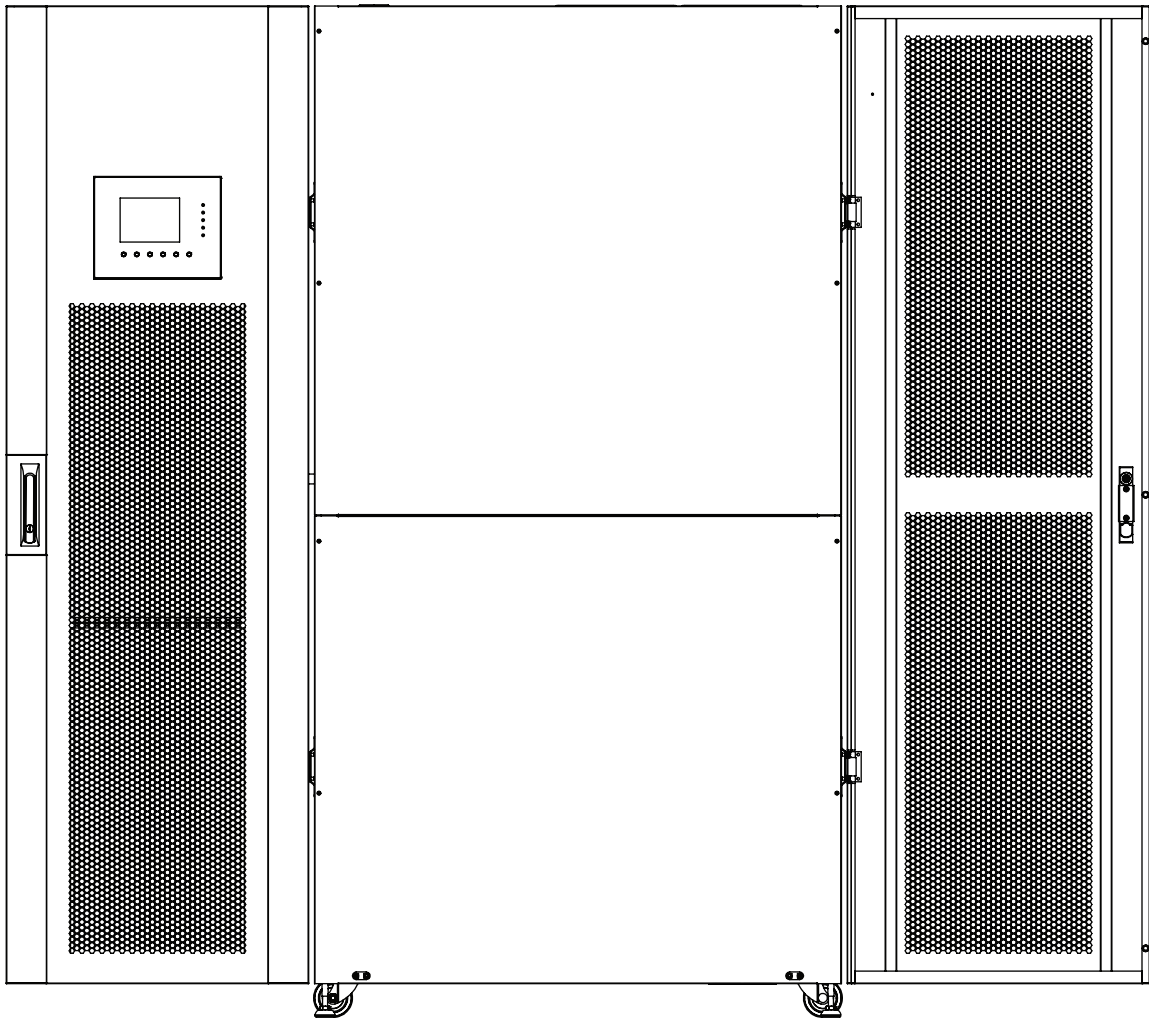
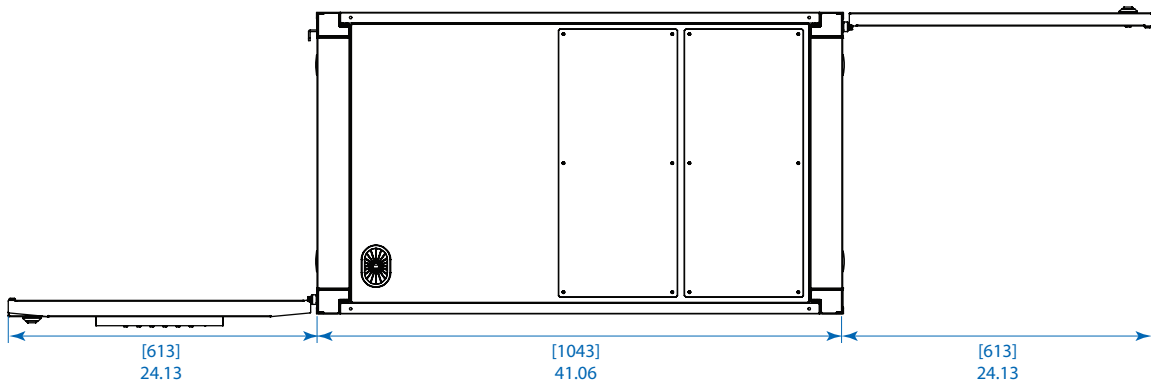


REAR VIEW

Large Frame (42U)
without Battery Modules



1111 W. 35th Street
Chicago, IL 60609 USA
773.869.1234
www.tripplite.com



Large Frame (42U)
without Battery Modules

TRIPP-LITE

1111 W. 35th Street
Chicago, IL 60609 USA
773.869.1234
www.tripplite.com

6 of 6

Dimensions: [mm] INCHES

Tripp Lite has a policy of continuous improvement. Specifications are subject to change without notice. Photos and illustrations may differ slightly from actual products.