

SmartOnline® SV-Series 3-Phase UPS Systems

Large Frame (42U) without Battery Modules

Maximum Current and Power Cable Configuration

Note: use copper wire with minimum temperature rating of 221°F (105°C).

	SV20KL	SV40KL	SV60KL	SV80KL	SV100KL	SV120KL	SV140KL7P
Max Input Current	60A	120A	180A	240A	300A	360A	420A
Rec. OCPD (A)	Rec. OCPD approx. 125% of Max AC Input Current						
Power & Ground Cable	6 AWG 13 mm ²	1 AWG 42 mm ²	3/0 AWG 85 mm ²	250 MCM 126 mm ²	300 MCM 152 mm ²	600 MCM 300 mm ²	600 MCM 300 mm ²
Fixation Torque Force	2.26 N-m						
Heat Dissipation (BTU/hr)	5766	12249	18223	24297	29484	35558	42002
Dimensions (HxWxD in.)	79 x 23.64 x 43.3						
Weight (lb.)	677	753	829	905	981	1057	1133
Floor Loading (lb/ft ²)	95.35	106.05	116.76	127.46	138.17	148.87	159.57

Note: Terminal stud size is M8 screw and nut.

DC Input Maximum Current and Power Cable Configuration

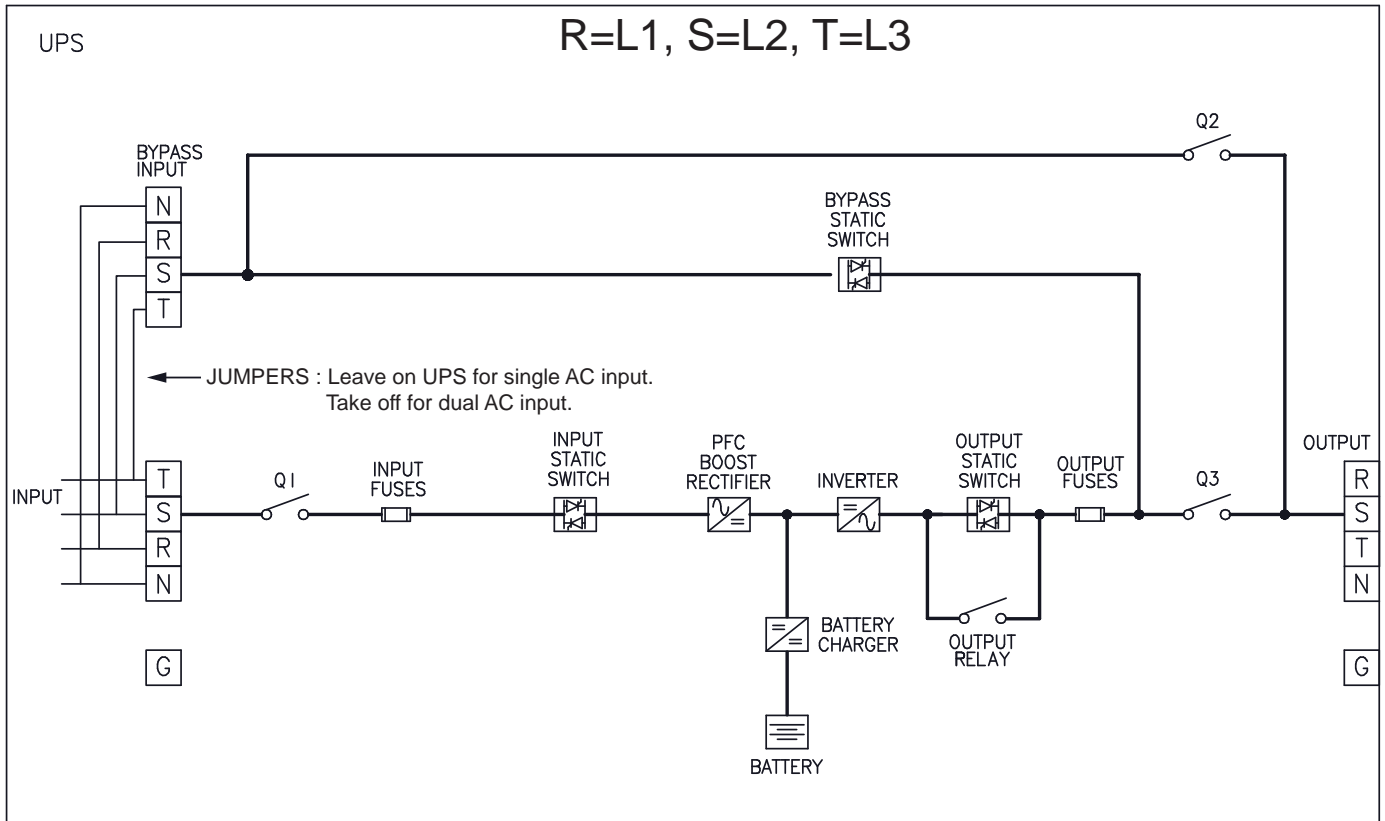
Nominal Battery Voltage: +/-120V DC

	SV20KL	SV40KL	SV60KL	SV80KL	SV100KL	SV120KL	SV140KL7P
Rec. Ext. Batt. Breaker	100A	200A	300A	400A	500A	600A	700A
Power & Ground Cable	3 AWG 25 mm ²	4/0 AWG 95 mm ²	300 MCM 150 mm ²	500 MCM 240 mm ²	250 MCM x 2 120 mm ² x 2	300 MCM x 2 150 mm ² x 2	500 MCM x 2 240 mm ² x 2
Fixation Torque Force	2.26 N-m						

Note: Terminal stud size is M8 screw and nut.



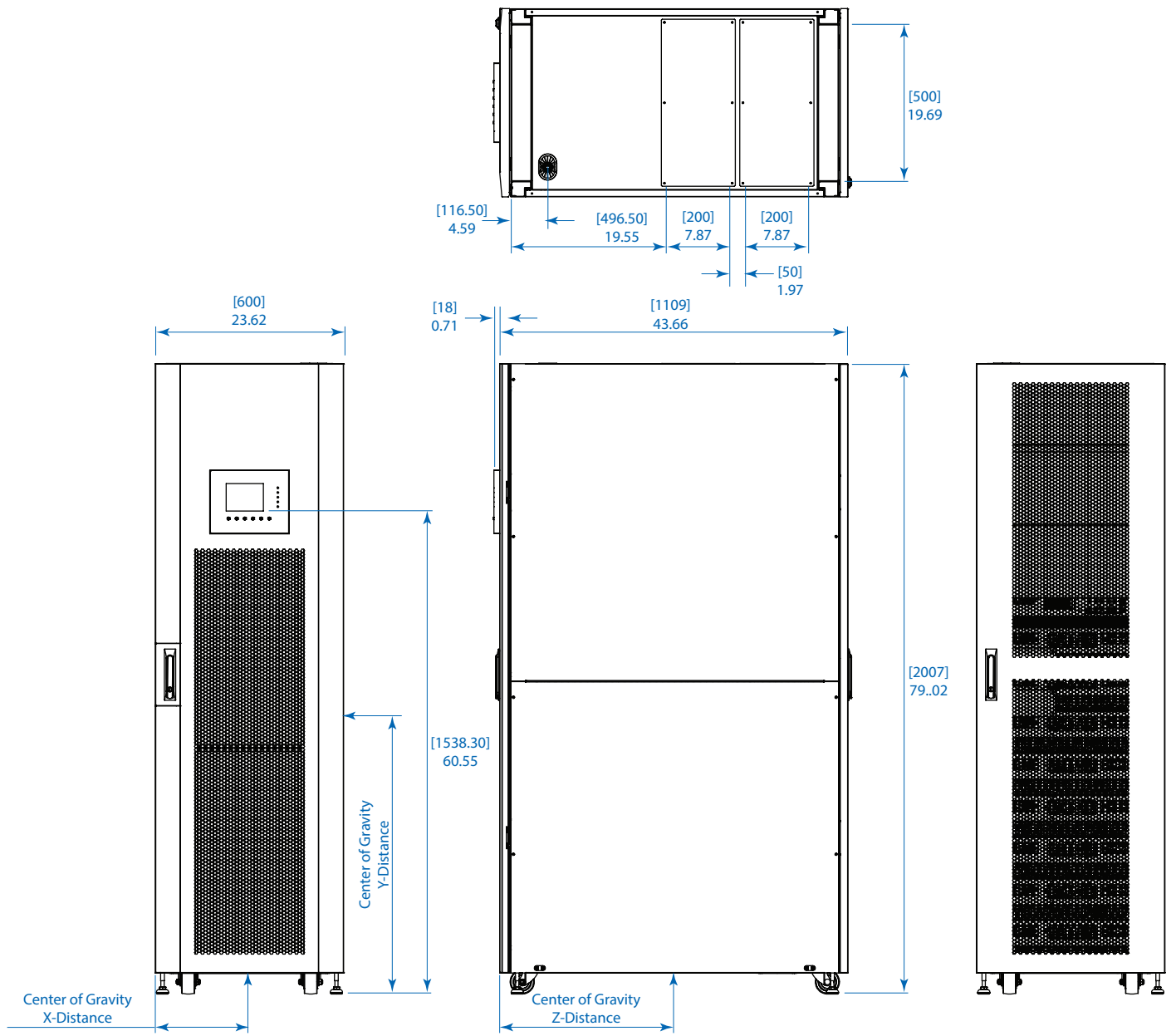
1111 W. 35th Street
Chicago, IL 60609 USA
773.869.1234
www.tripplite.com



Large Frame (42U)
without Battery Modules



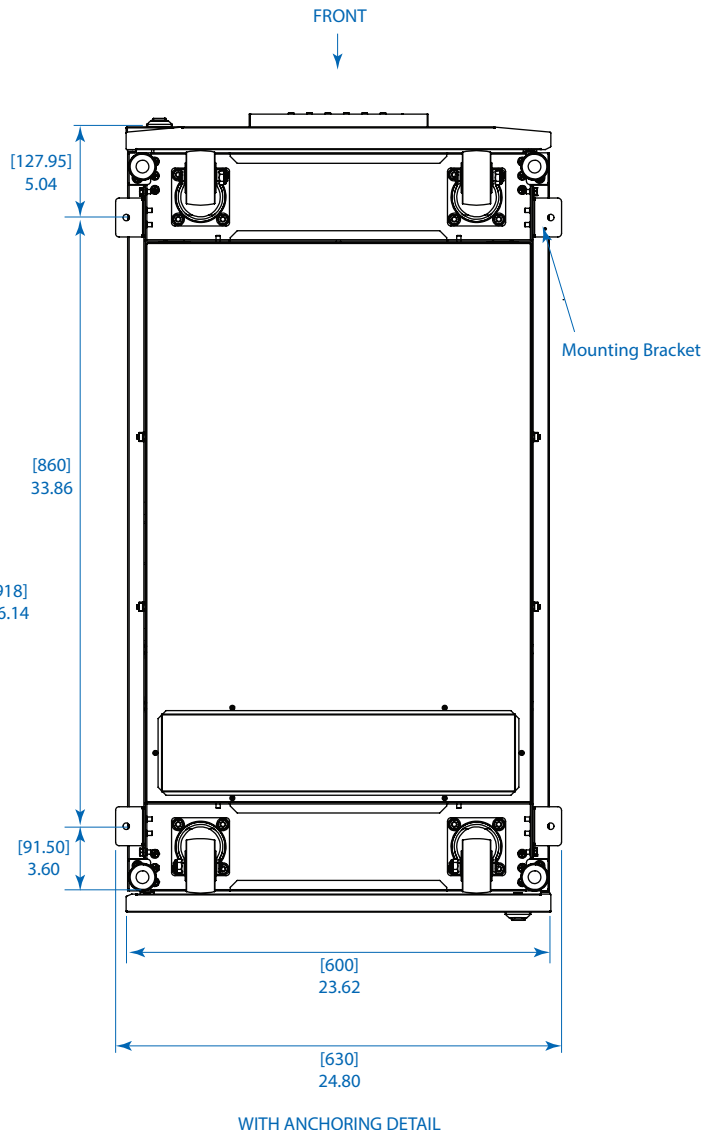
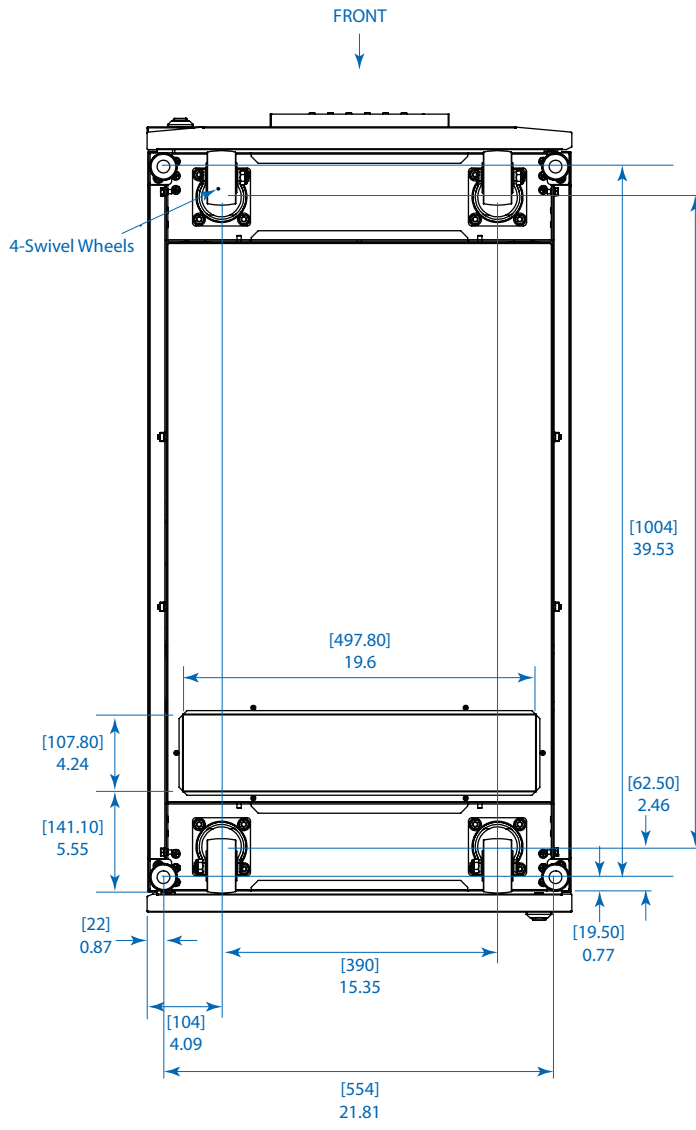
1111 W. 35th Street
Chicago, IL 60609 USA
773.869.1234
www.tripplite.com



Large Frame (42U)
without Battery Modules



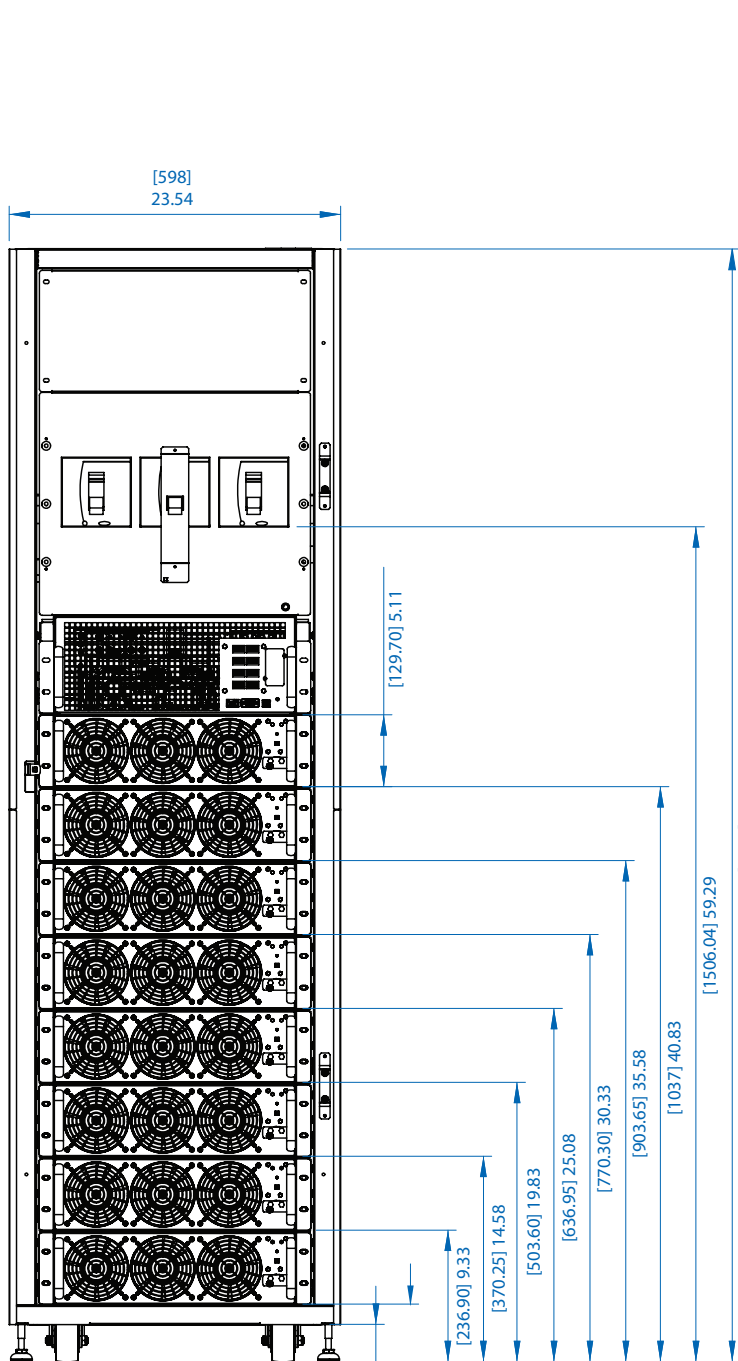
1111 W. 35th Street
Chicago, IL 60609 USA
773.869.1234
www.tripplite.com



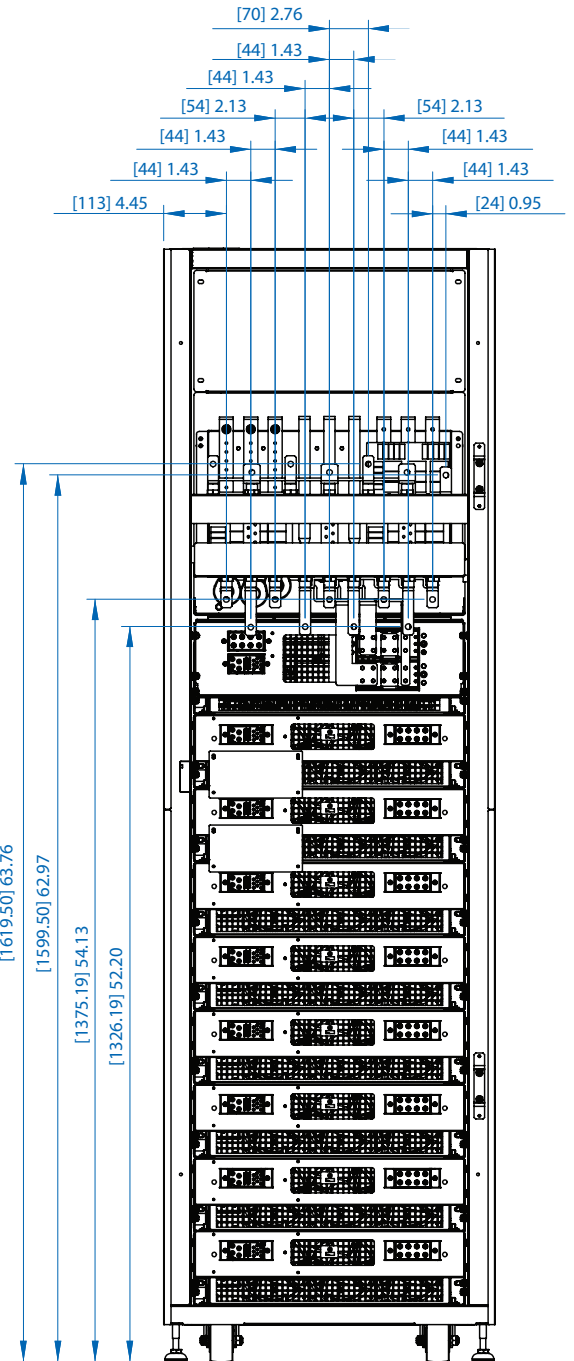
**Large Frame (42U)
without Battery Modules**



1111 W. 35th Street
Chicago, IL 60609 USA
773.869.1234
www.tripplite.com



FRONT VIEW

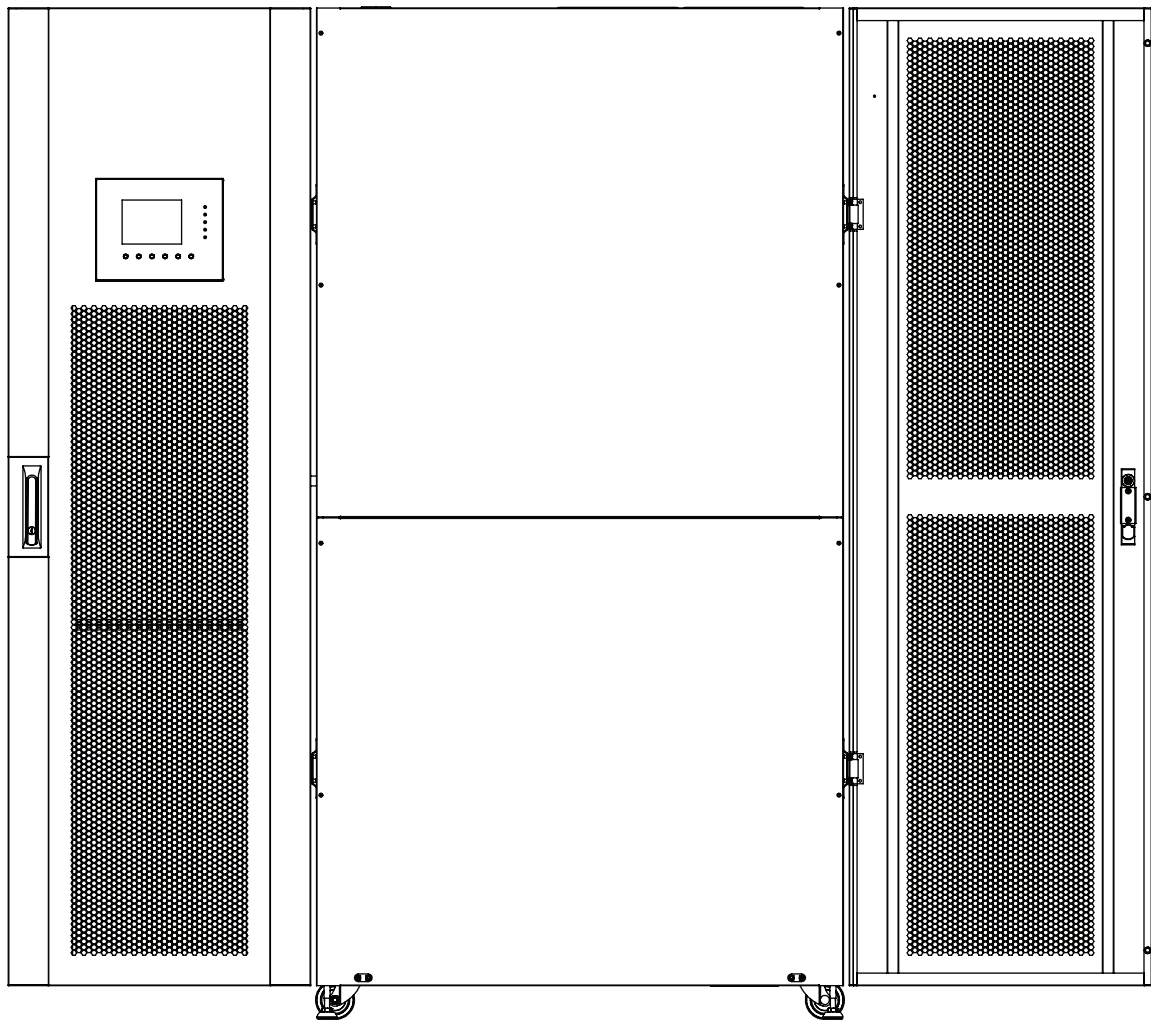
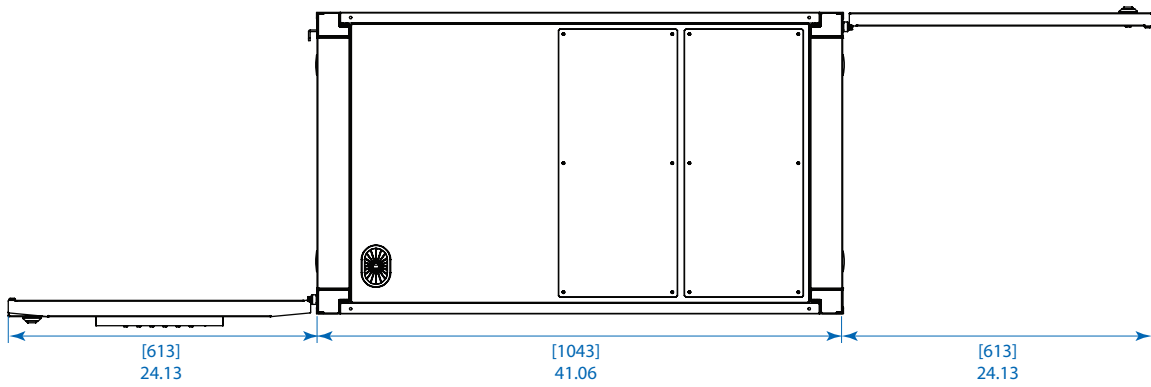


REAR VIEW

Large Frame (42U)
without Battery Modules



1111 W. 35th Street
Chicago, IL 60609 USA
773.869.1234
www.tripplite.com



Large Frame (42U)
without Battery Modules



1111 W. 35th Street
Chicago, IL 60609 USA
773.869.1234
www.tripplite.com

Dimensions: [mm] INCHES

Tripp Lite has a policy of continuous improvement. Specifications are subject to change without notice. Photos and illustrations may differ slightly from actual products.

6 of 6