

MODEL:

SRWF6UMOD

SmartRack® 3U Low-Profile Vertical-Mount Switch-Depth Wall-Mount Structured Wiring Enclosure



3 Rack Units



150 lb.
Load Rating



EIA
310-E
Standard 19 in.
Rack Width



Convenient
Cable Access



Ventilated for
Ample Airflow

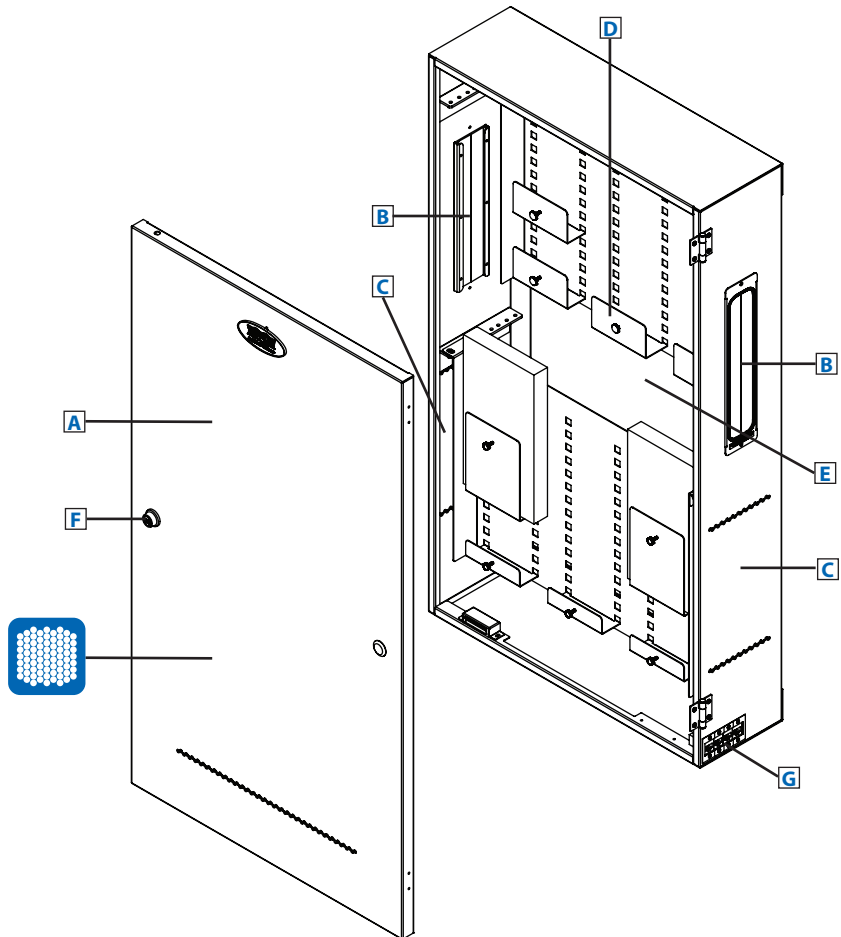


6U Total
Mounting Space



Reversible
Door

- A** Reversible Vented Front Door
- B** Brush-Strip Cable Plates (on Both Sides)
- C** Side-Panel Vent (on Both Sides)
- D** 1U Shelves for Modem and Other Non-Rack Devices
- E** 6U of Mounting Space
- F** Combination Lock
- G** RJ45 Jacks



- Removable 1U shelves with adjustable metal brackets secure non-rack equipment
- Houses 2 areas of 3U of rack equipment up to 16.5 in. deep (when 1U shelves are removed)
- RJ45 jacks connect installed modem, router and other equipment to network
- Ships fully assembled for immediate installation in back office area or network closet

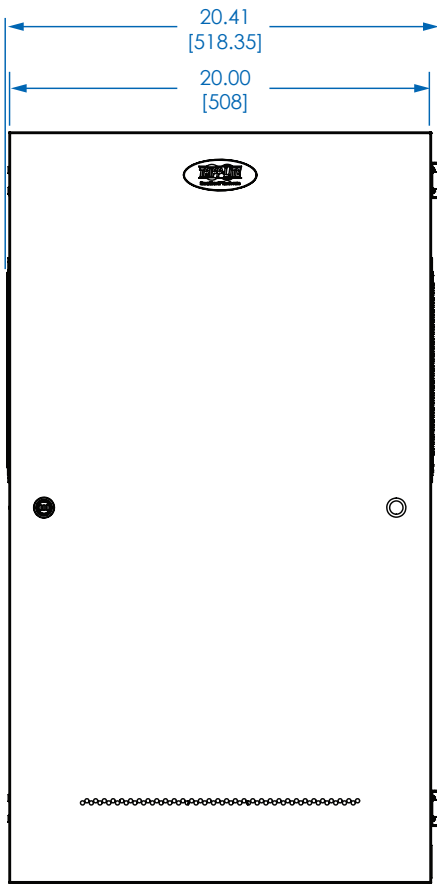
SEE NEXT PAGE FOR DETAILED UNIT MEASUREMENTS

Specifications

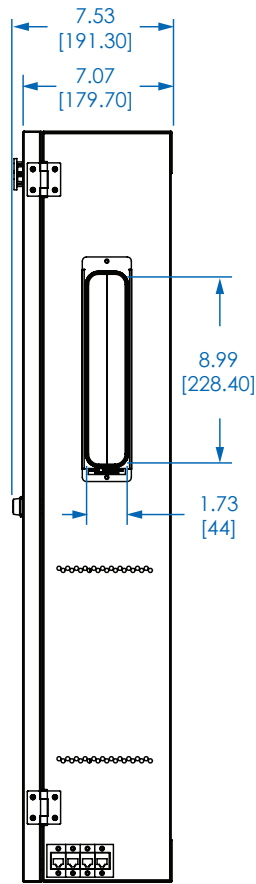
Model	SRWF6UMOD
Rack Spaces:	3U
Load Capacity:	150 lb. (68 kg)
Unit Dimensions (H x W x D):	35.6 x 20 x 7.1 in. (90.3 x 50.8 x 18 cm)
Unit Weight:	30.9 lb. (14 kg)
Certifications:	RoHS, IP20, EIA/ECA-310-E (Accommodates all standard 19-inch rack-mount equipment regardless of vendor.)



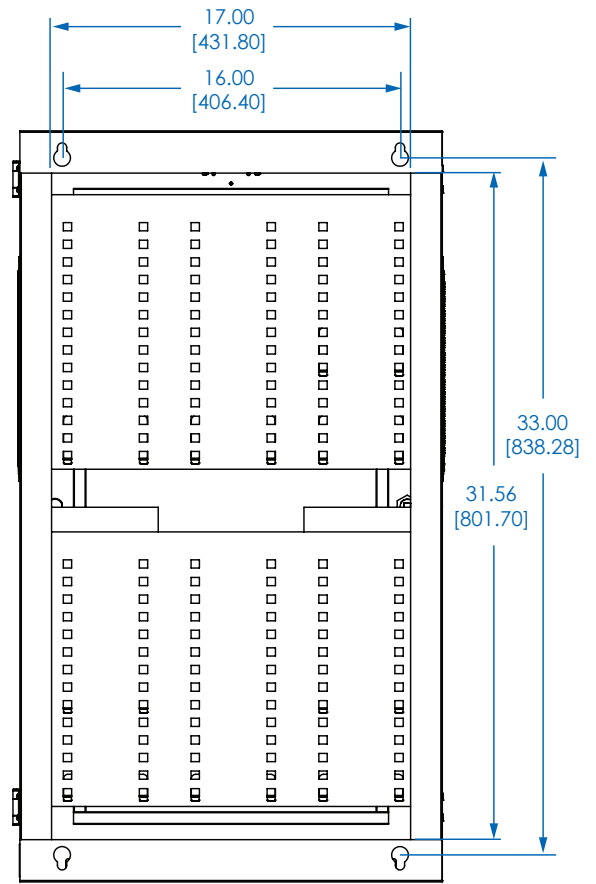
TRIPP-LITE
by **EATON**



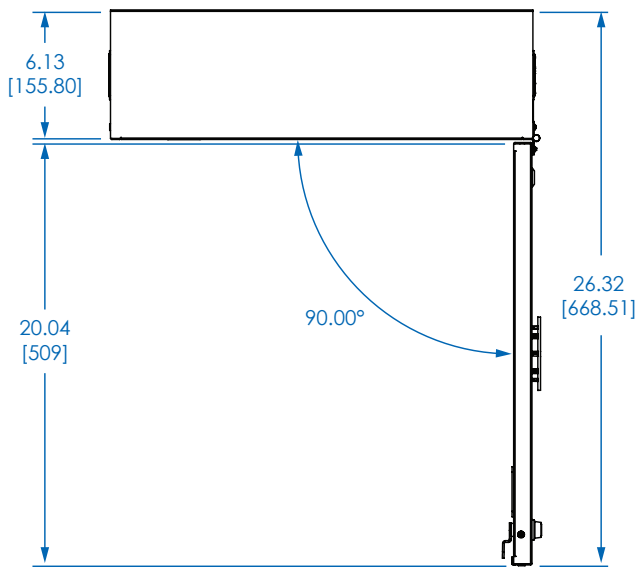
FRONT VIEW



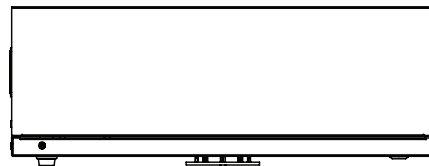
SIDE VIEW



BACK VIEW



TOP VIEW



TOP/BOTTOM VIEW

Dimensions: inches [mm]

We have a policy of continuous improvement. Specifications are subject to change without notice. Photos and illustrations may differ slightly from actual products.

Model:
SRWF6UMOD

TRIPP-LITE
by **EATON**

1111 W. 35th Street
Chicago, IL 60609 USA
773.869.1234
tripplite.com

About Tripp Lite by Eaton

Tripp Lite joined the Eaton family in March 2021. Eaton has long been a premier name in backup power and power management. The acquisition of Tripp Lite transforms Eaton's distributed IT infrastructure and connectivity equipment capabilities. Combining our product strengths and expert personnel allows us to offer comprehensive and innovative solutions for critical power and digital infrastructure applications, backed by quality, service and support you can trust. Learn more at tripplite.com/byEaton.