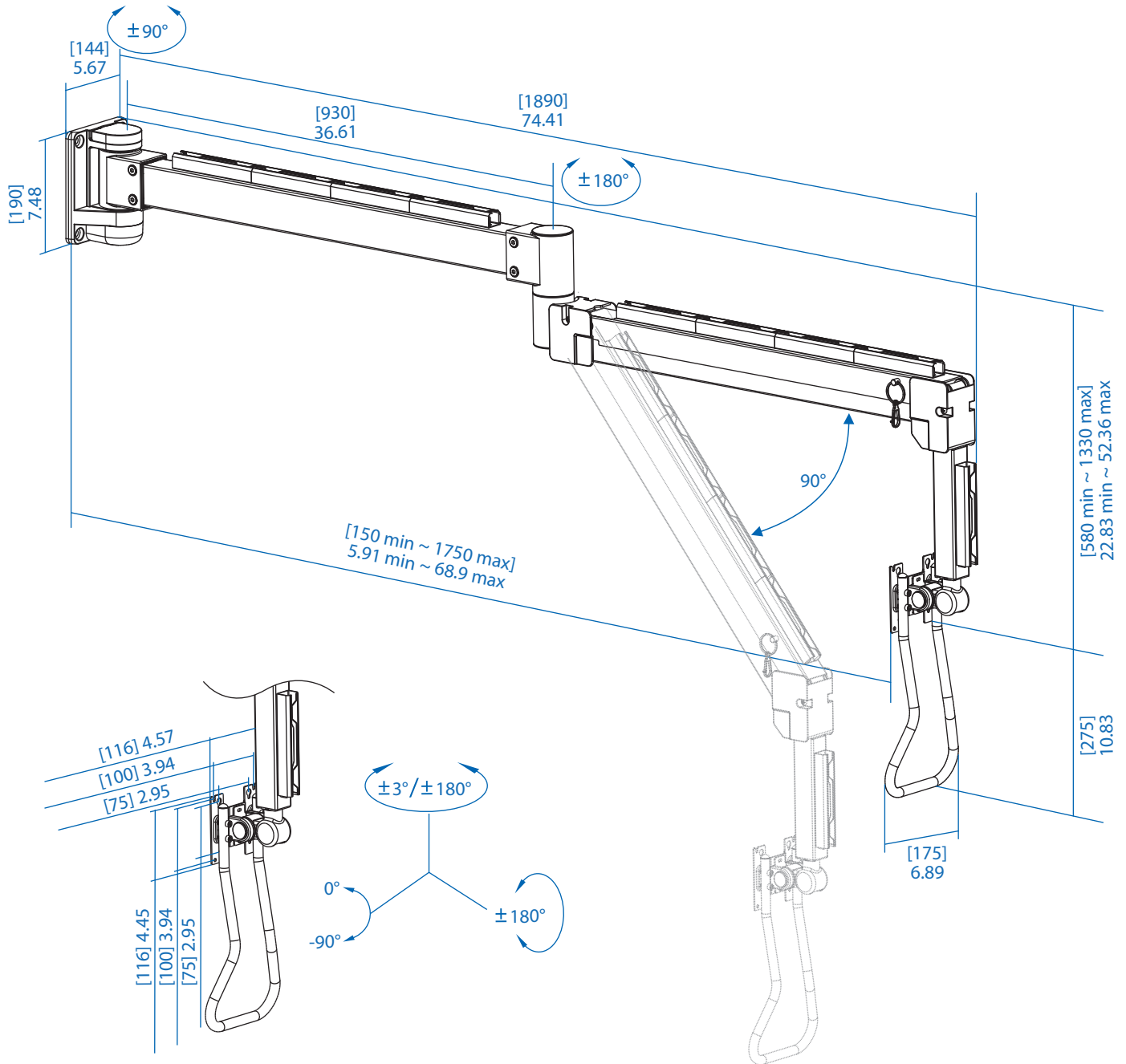


MODEL:

# DWMLARM1732AM

Safe-IT™ Extended-Reach Wall Mount for 17" to 32" Displays



Dimensions: [mm] inches

We have a policy of continuous improvement. Specifications are subject to change without notice. Photos and illustrations may differ slightly from actual products.

**TRIPP-LITE**  
by **EATON**

1111 W. 35th Street  
Chicago, IL 60609 USA  
773.869.1234  
tripplite.com

## About Tripp Lite by Eaton

Tripp Lite joined the Eaton family in March 2021. Eaton has long been a premier name in backup power and power management. The acquisition of Tripp Lite transforms Eaton's distributed IT infrastructure and connectivity equipment capabilities. Combining our product strengths and expert personnel allows us to offer comprehensive and innovative solutions for critical power and digital infrastructure applications, backed by quality, service and support you can trust. Learn more at [tripplite.com/byEaton](https://tripplite.com/byEaton).