

MODEL:

SRQ18U

SmartRack® 18U Sound Proof Server Rack



18 Rack Units



750 lb. Stationary Load Capacity



750 lb. Rolling Load Capacity



Heavy-Duty Casters



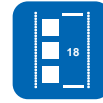
Locking Front and Rear Doors



Standard 19 in. Rack Width



Adjustable Mounting Rails



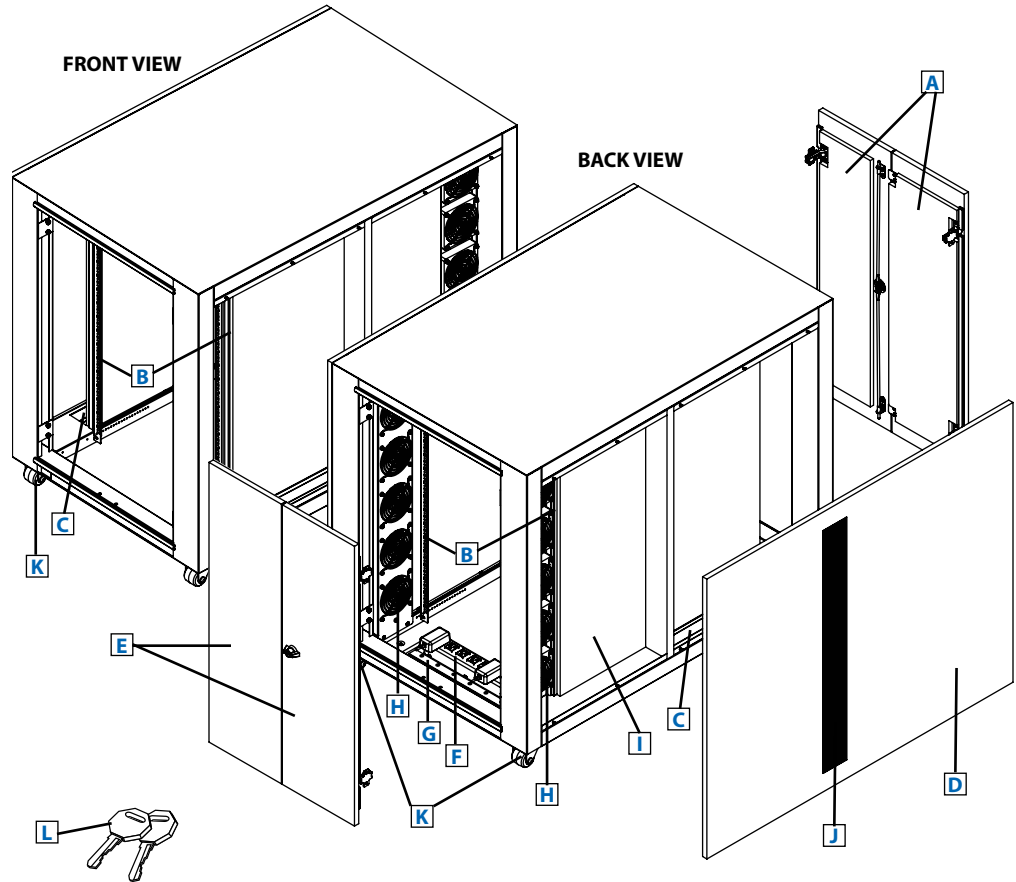
Square Hole Mounting



Foam Sound-Dampening Baffles

- A** Locking Front Doors with Foam Sound-Dampening Baffles
- B** Adjustable Mounting Rails
- C** Cool-Air Intakes
- D** Non-Removable Side Panels with Foam Sound-Dampening Baffles
- E** Locking Rear Doors with Foam Sound-Dampening Baffles
- F** 6-Outlet 15A Power Strip
- G** Brush Strip Plate
- H** Exhaust Fans
- I** Hot-Air Chambers
- J** Hot-Air Exhaust Vents
- K** Casters
- L** Keys (for front and rear doors)

Also includes: rack-mounting hardware, shipping materials and owner's manual



- Minimizes equipment noise by as much as 28 decibels for quieter work environment
- Floor panel intakes and built-in fans keep equipment cool to maintain top performance
- Steel/MDF cabinet locks securely to help prevent equipment damage or theft
- Ships fully assembled for immediate deployment and equipment mounting

SEE NEXT PAGE FOR DETAILED UNIT MEASUREMENTS



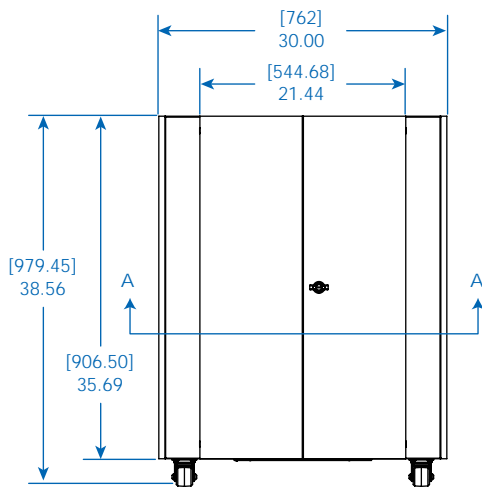
1111 W. 35th Street
Chicago, IL 60609 USA
773.869.1234
www.tripplite.com

Specifications

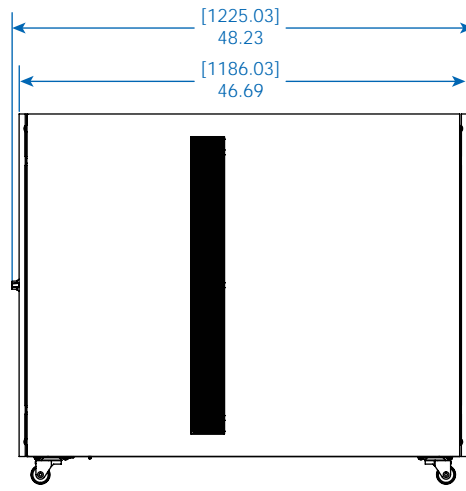
Model	SRQ18U
Rack Spaces	18U
Stationary Load Capacity	750 lb. / 340 kg
Rolling Load Capacity	750 lb. / 340 kg
Unit Dimensions (H x W x D)	38.6 x 30 x 46.7 in. / 978 x 762 x 1186 mm
Shipping Dimensions (H x W x D)	43.8 x 32 x 48.7 in. / 1112 x 812 x 1237 mm
Unit Weight	242 lb. / 109.8 kg
Shipping Weight	271 lb. / 122.9 kg
Standards	EIA/ECA-310-E; RoHS

Tripp Lite has a policy of continuous improvement. Specifications are subject to change without notice.

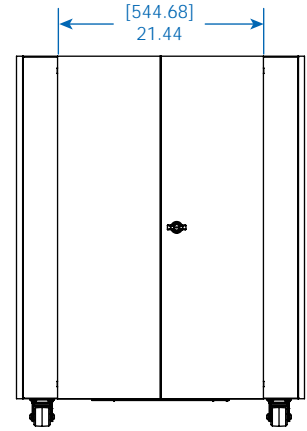




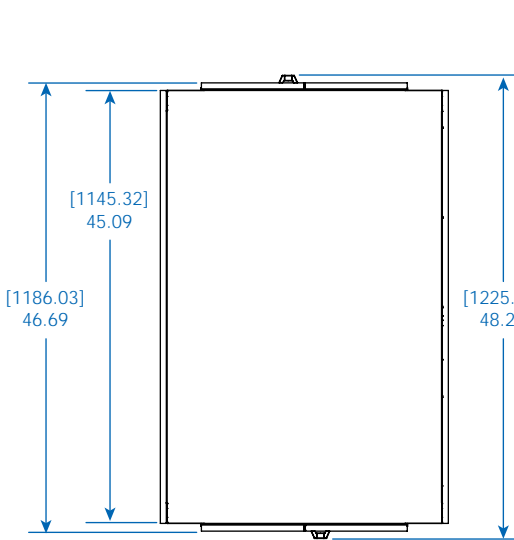
FRONT VIEW



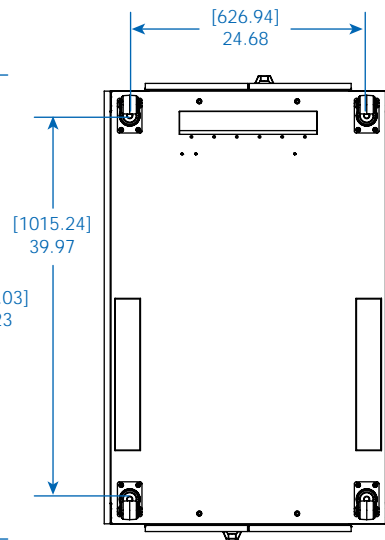
SIDE VIEW



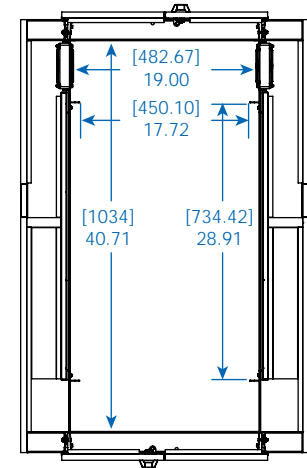
BACK VIEW



TOP VIEW



BOTTOM VIEW



CROSS-SECTION A

Dimensions: [mm] INCHES

Tripp Lite has a policy of continuous improvement. Specifications are subject to change without notice.

MODEL:
SRQ18U



1111 W. 35th Street
Chicago, IL 60609 USA
773.869.1234

www.tripplite.com