

MODEL:

SRCOOL33K

SmartRack® Self-Contained, Row-Based Air Conditioning Unit



33,000 BTU



42U Rack Form Factor



Close-coupled Cooling



Zero-Maintenance Design



NEMA L6-30P Plug



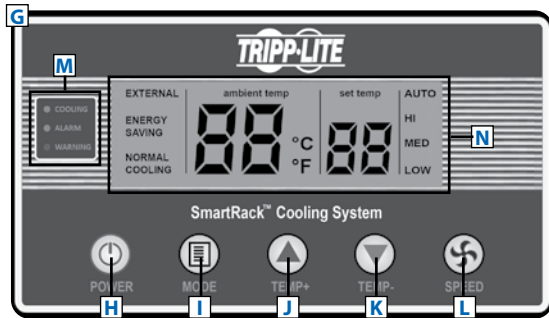
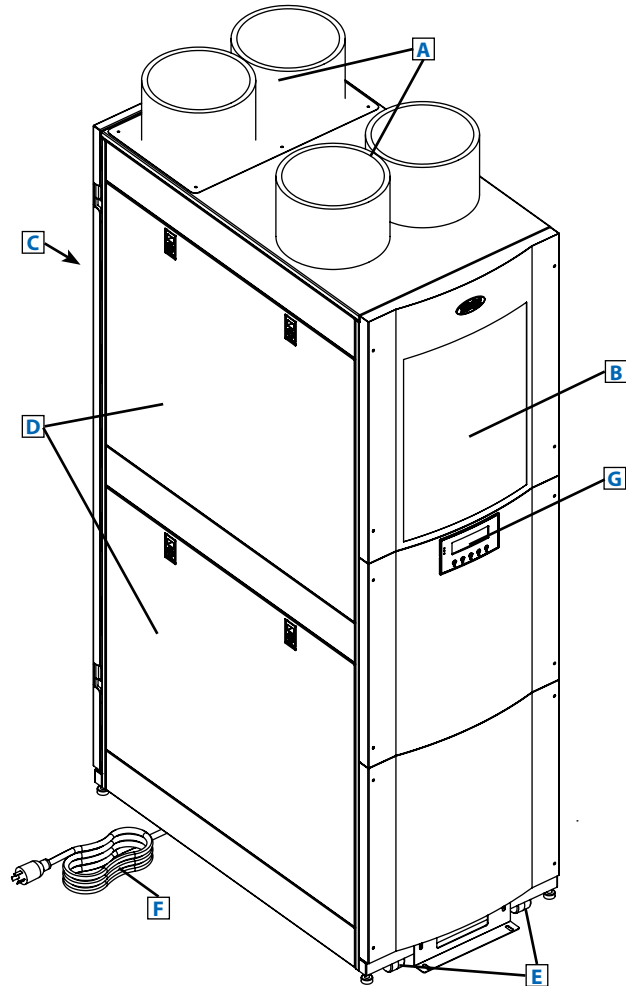
Filters and Dehumidifies Air



Intuitive LCD Control Panel

- A** Ceiling Ducts
- B** Vented Front Panel
- C** Air Filter (Rear)
- D** Locking Side Panels
- E** Casters
- F** L6-30P Plug with 10 ft. Cord
- G** Control Panel
- H** POWER Button
- I** MODE Button
- J** TEMP + Button
- K** TEMP - Button
- L** SPEED Button
- M** Status LEDs
- N** LCD Screen

Internal Components (Not Shown)
Network Management Capability



- Self-contained, zero-maintenance unit atomizes condensate and expels it through the exhaust air stream
- LCD control panel and network interface enable local and remote monitoring and control of temperature, fan speed, alarms and logging
- Row-based airflow path maximizes hot-aisle/cold-aisle efficiency and cooling predictability

SEE NEXT PAGE FOR DETAILED UNIT MEASUREMENTS

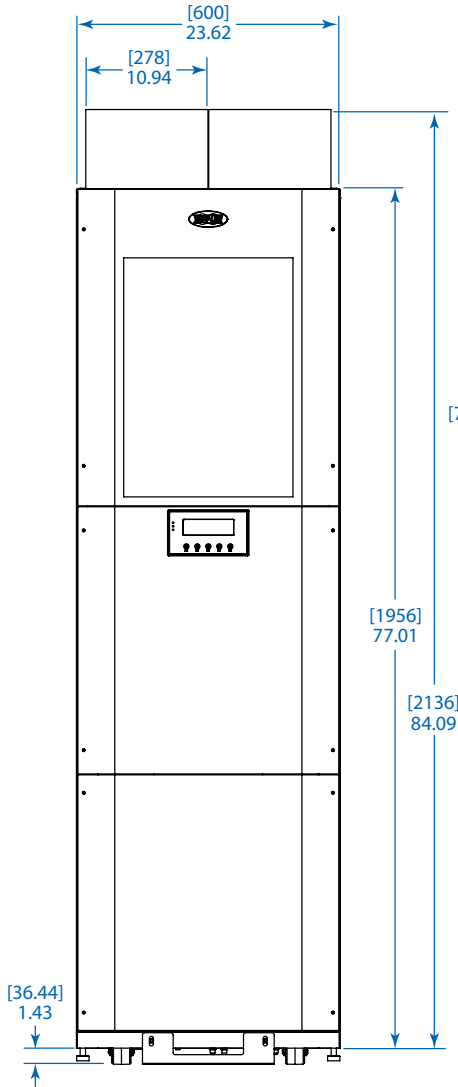


1111 W. 35th Street
Chicago, IL 60609 USA
773.869.1234
www.tripplite.com

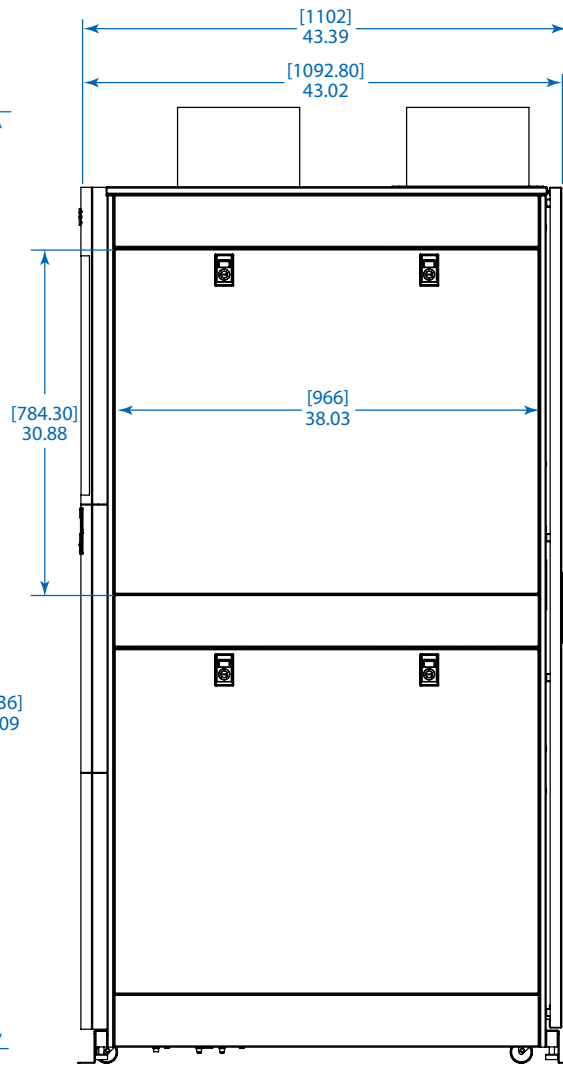


Specifications

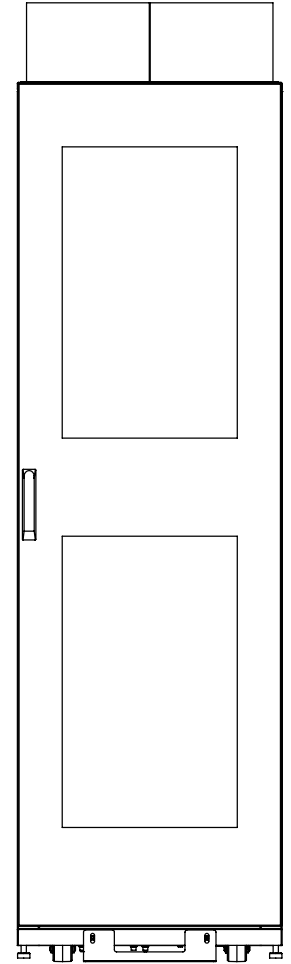
Model	SRCOOL33K
Cooling Capacity	33,000 BTU / 9.7kW
Input Voltage	200-240V AC, 60 Hz
Connector Type	NEMA L6-30P
Input Cord Length	10 ft. / 3.05 m
Unit Dimensions	78.5 x 23.63 x 43 in. / 1994 x 600 x 1092 mm
Shipping Dimensions (HxWxD)	84.4 x 25.6 x 45 in. / 2144 x 673 x 1143 mm
Unit Weight	558 lb. / 253 kg
Certifications	Tested to CE, RoHS; R410a Refrigerant



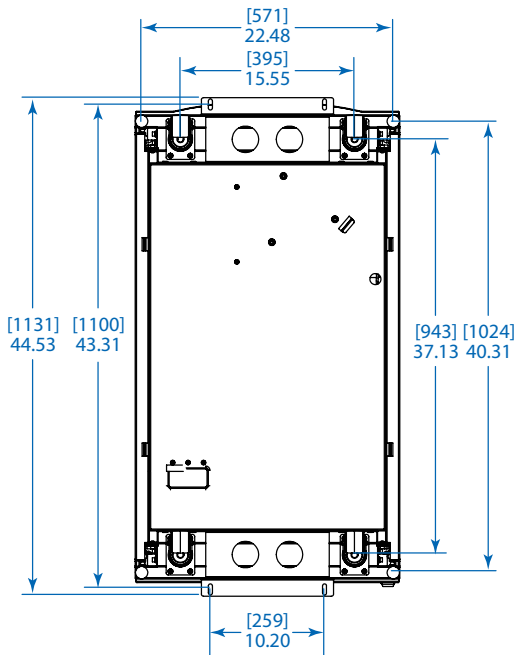
FRONT VIEW



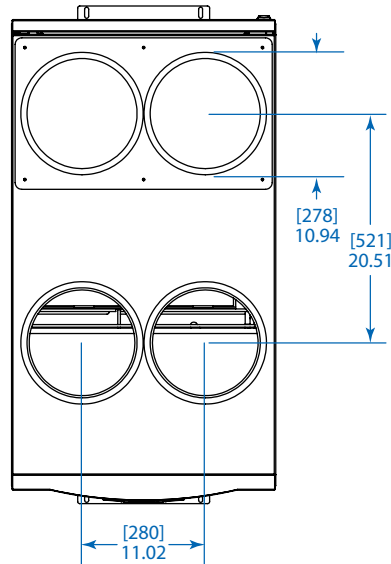
SIDE VIEW



BACK VIEW



BOTTOM VIEW



TOP VIEW

Dimensions: [mm] INCHES

Tripp Lite has a policy of continuous improvement. Specifications are subject to change without notice.

MODEL:
SRCOOL33K
TRIPP·LITE

1111 W. 35th Street
Chicago, IL 60609 USA
773.869.1234
www.tripplite.com