

MODEL:

SRCOOL24K

SmartRack® Self-Contained Portable Server-Rack Cooling Unit



24,000 BTU



Effective Spot Cooling



Locking
NEMA L6-20P Plug

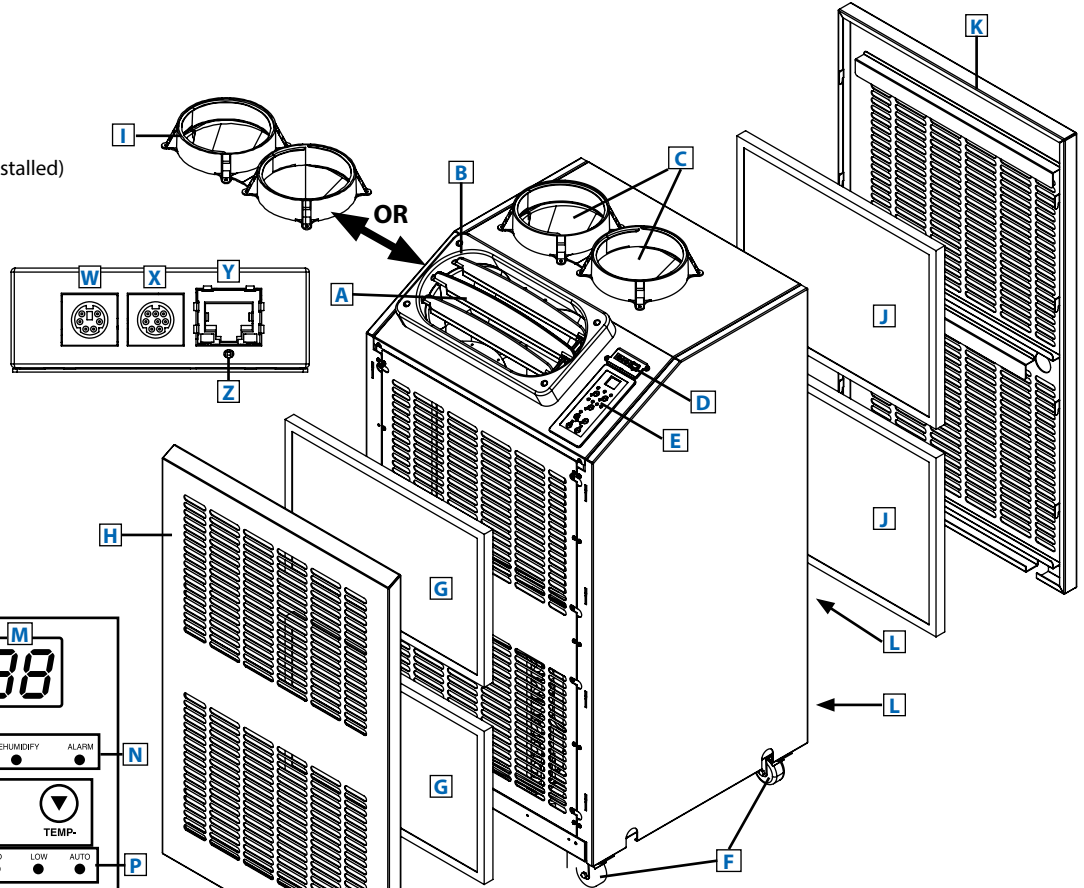


Filters and
Dehumidifies Air



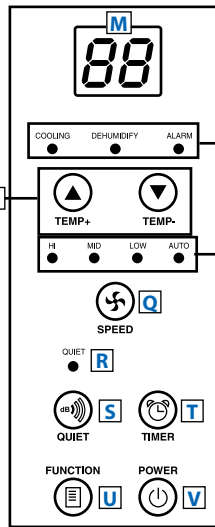
Digital Temperature Readout

- A** Cool Air Output
- B** Louvered Vent Insert (Pre-Installed)
- C** Warm Air Exhaust
- D** SRCOOLNET2 Accessory Card (Pre-Installed)
- E** Control Panel
- F** Casters
- G** Condenser Filters
- H** Front Panel
- I** Optional Cooling Duct Adapter
- J** Evaporator Filters
- K** Rear Panel
- L** Evaporator Drainage Outlet



Control Panel

- M** LCD Temperature Readout
- N** Operating Mode LEDs
- O** Temperature Control Buttons
- P** Fan-Speed Mode LEDs
- Q** FAN SPEED Button
- R** QUIET LED
- S** QUIET Button
- T** TIMER Button
- U** FUNCTION Button
- V** POWER Button



SRCOOLNET2 Connections

- W** PS/2 Port
(for use with included ENVIROSENSE sensor)
- X** Mini-DIN Serial Port
- Y** RJ45 Ethernet Port
- Z** SNMP Reset Button

- Offers 24,000 BTU of hot-spot and general room cooling through adjustable louvers or flexible duct
- Compact, portable, self-contained design with built-in evaporator reduces maintenance—no water collection tank or drain required
- Filters and dehumidifies air to protect equipment
- Features remote control, web management and true spot-cooling capabilities with pre-installed SRCOOLNET2 accessory

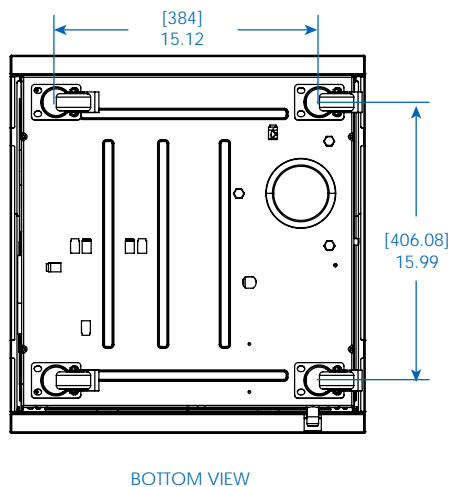
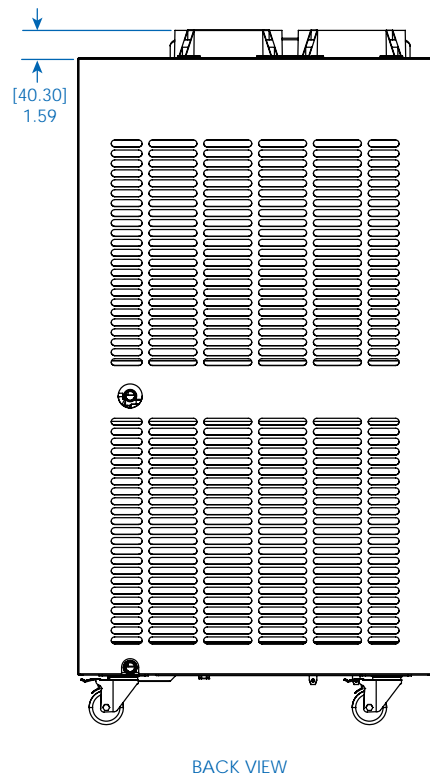
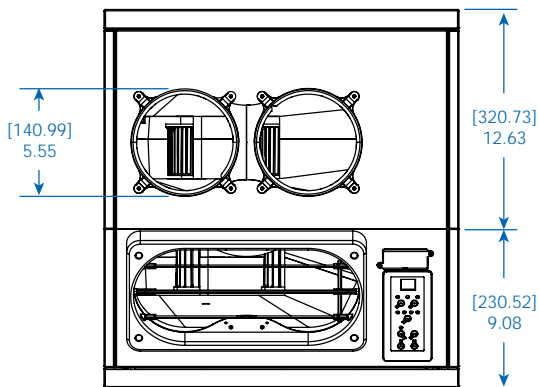
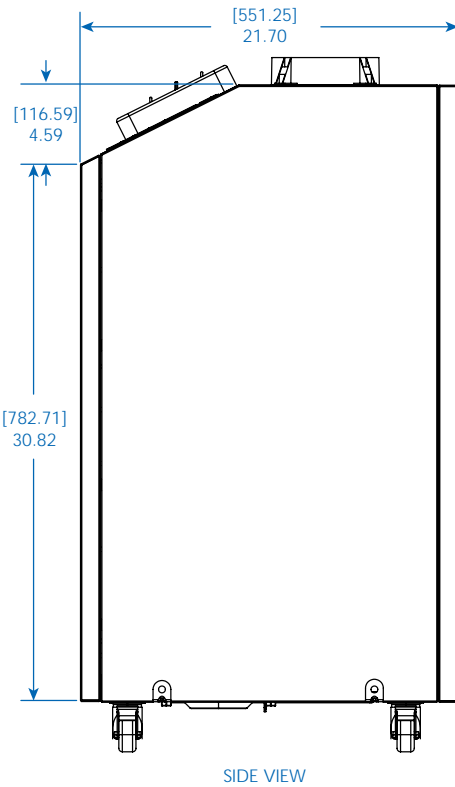
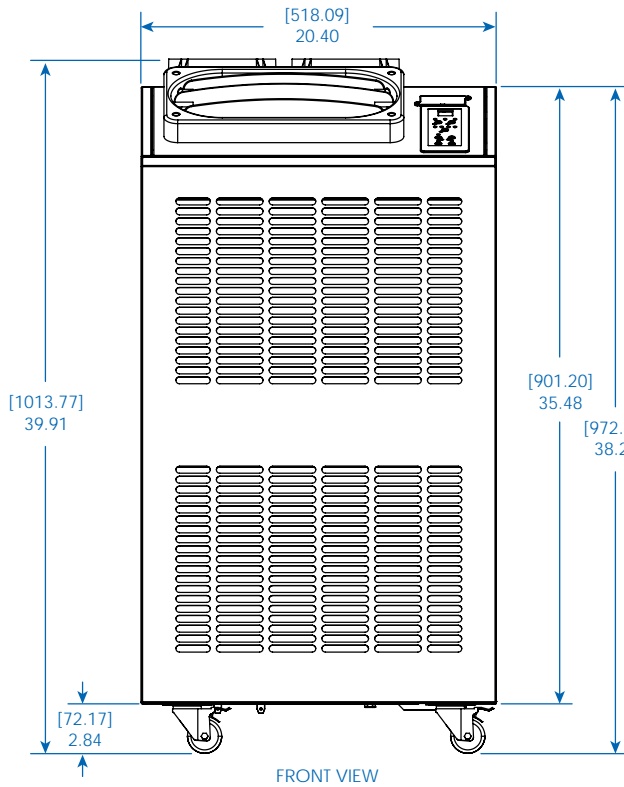
Specifications

Model	SRCOOL24K
Cooling Capacity	24,000 BTU / 7.0 kW
Input Voltage / Frequency	208/240V / 60 Hz
Power Consumption	2560W Max
Input Cord/ Connector	2 m (6.6 ft.) / NEMA L6-20P
Unit Dimensions (H x W x D)	970 x 521 x 551 mm / 38.2 x 20.5 x 21.7 in.
Shipping Dimensions (H x W x D)	1181 x 640 x 742 mm / 46.5 x 25.2 x 29.2 in.
Unit Weight	79.6 kg / 175.4 lb.
Shipping Weight	100.2 kg / 221 lb.
Standards	Meets UL 484, CSA, RoHS and NOM standards; R410A refrigerant

SEE NEXT PAGE FOR DETAILED UNIT MEASUREMENTS



1111 W. 35th Street
Chicago, IL 60609 USA
773.869.1234
www.tripplite.com



MODEL:
SRCOOL24K



1111 W. 35th Street
Chicago, IL 60609 USA
773.869.1234

www.tripplite.com

Dimensions: [mm] INCHES

Tripp Lite has a policy of continuous improvement. Specifications are subject to change without notice.