

MODEL:

PDUMV20NETLX

Single-Phase Switched 0U Vertical PDU



100/120/127V
Single-Phase
Input/Output



24 Outlets



1.9kW



20A Max
Capacity



L5-20P Plug



Load Meter



Network
Interface



0U
Rackmount



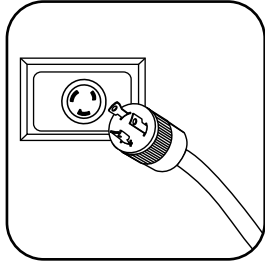
Toolless
Mounting
Buttons



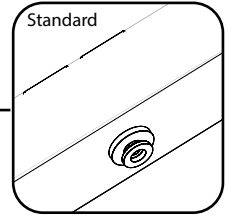
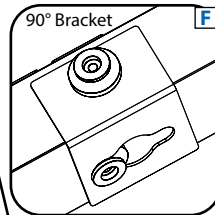
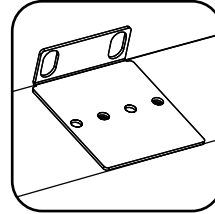
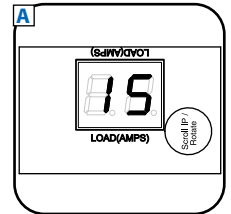
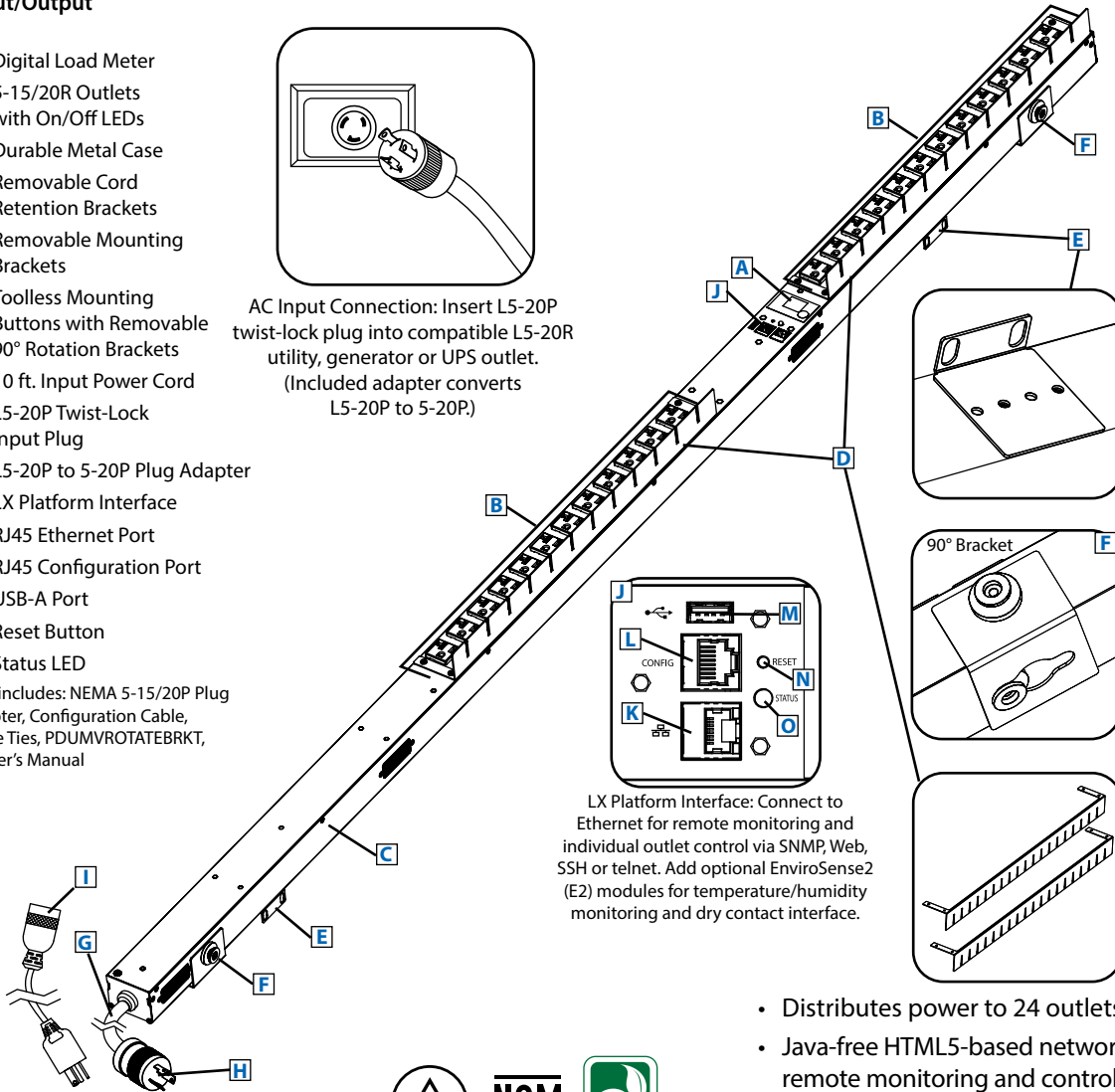
TAA
Compliant

- A** Digital Load Meter
- B** 5-15/20R Outlets with On/Off LEDs
- C** Durable Metal Case
- D** Removable Cord Retention Brackets
- E** Removable Mounting Brackets
- F** Toolless Mounting Buttons with Removable 90° Rotation Brackets
- G** 10 ft. Input Power Cord
- H** L5-20P Twist-Lock Input Plug
- I** L5-20P to 5-20P Plug Adapter
- J** LX Platform Interface
- K** RJ45 Ethernet Port
- L** RJ45 Configuration Port
- M** USB-A Port
- N** Reset Button
- O** Status LED

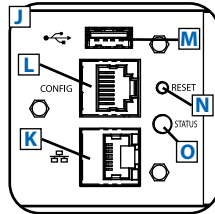
Also includes: NEMA 5-15/20P Plug Adapter, Configuration Cable, Cable Ties, PDUMVROTATEBRKT, Owner's Manual



AC Input Connection: Insert L5-20P twist-lock plug into compatible L5-20R utility, generator or UPS outlet. (Included adapter converts L5-20P to 5-20P.)



Note: Installed 17.67 mm toolless mounting buttons can be replaced with included 14.17 mm buttons for additional compatibility.



LX Platform Interface: Connect to Ethernet for remote monitoring and individual outlet control via SNMP, Web, SSH or telnet. Add optional EnviroSense2 (E2) modules for temperature/humidity monitoring and dry contact interface.

- Distributes power to 24 outlets
- Java-free HTML5-based network interface allows for remote monitoring and control via SNMP, Web, SSH or telnet
- Displays total load in real time
- Perfect for rack-mount server, network and telecom applications

SEE NEXT PAGE FOR DETAILED UNIT MEASUREMENTS

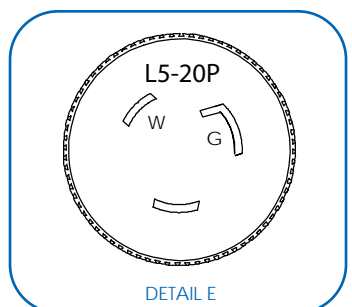
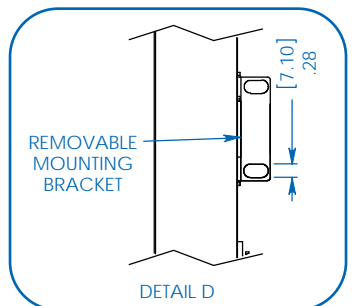
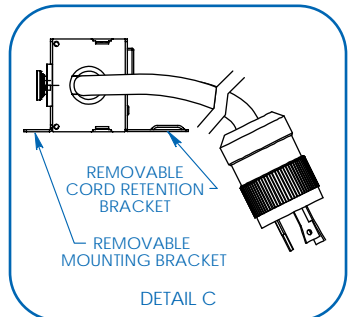
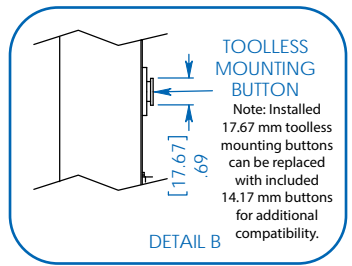
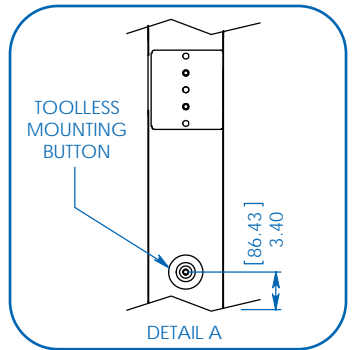
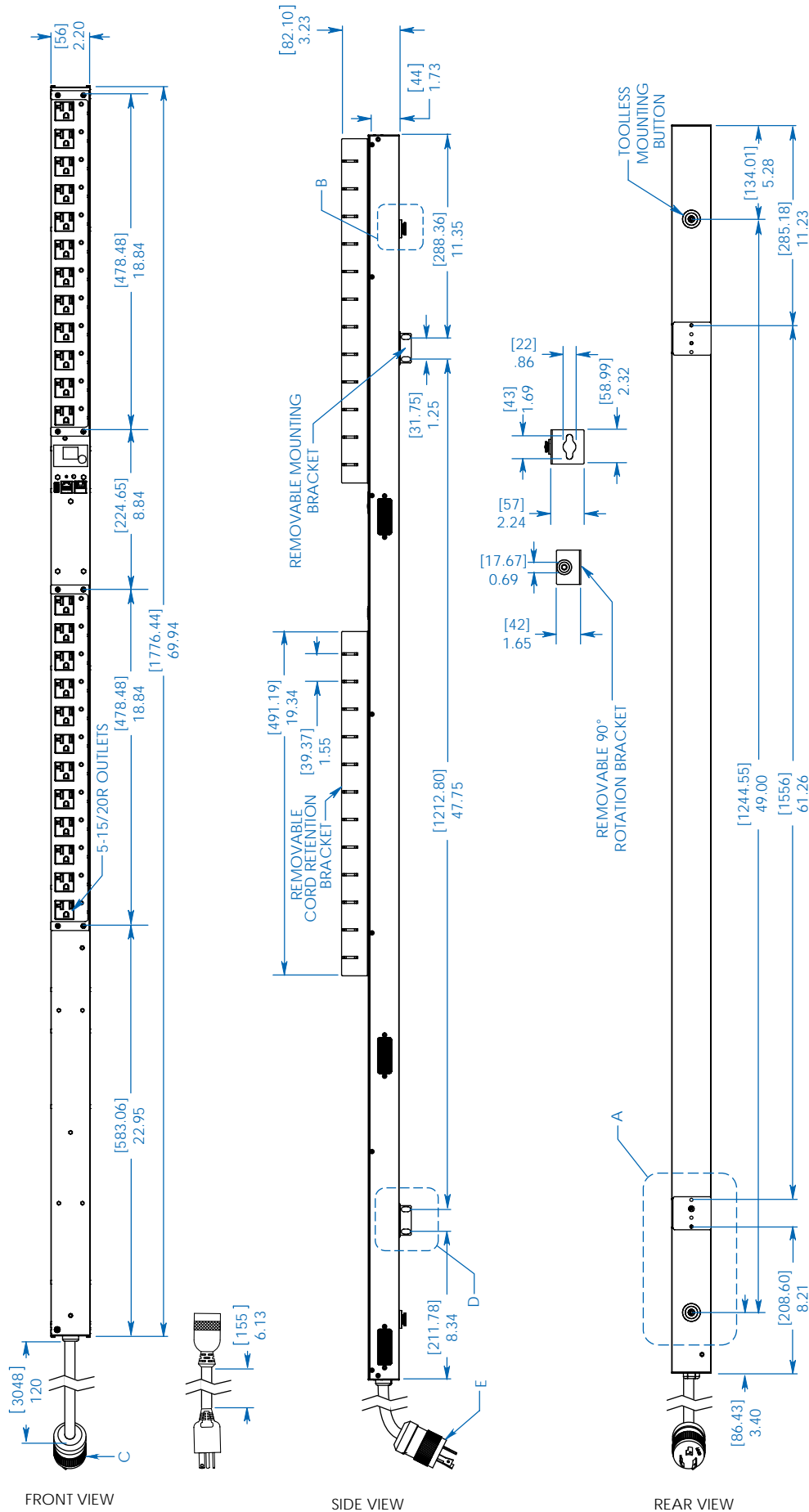


1111 W. 35th Street
Chicago, IL 60609 USA
773.869.1234
www.tripplite.com

Specifications

Model	PDUMV20NETLX
Voltage	100/120/127V
Frequency	50/60 Hz
Maximum Capacity	20A
Agency-Derated Capacity	16A
Input Connector	L5-20P (or 5-20P w/included plug adapter)
Cord Length	10 ft. / 3 m
Outlets	24 (5-15/20R)
Primary Mounting Option	0U (Vertical) Rack Mount
Unit Dimensions (H x W x D)	70 x 2.2 x 2.7 in. / 1780 x 560 x 670 mm See next page for detailed unit measurements.
Unit Weight	8.5 lb. / 3.9 kg
Standards	Tested to UL 60950-1 (US & Canada), NOM (Mexico), FCC Class A, RoHS





Dimensions: [mm] INCHES

Tripp Lite has a policy of continuous improvement. Specifications are subject to change without notice.

MODEL:
PDUMV20NETLX



1111 W. 35th Street
Chicago, IL 60609 USA
773.869.1234

www.triplite.com