



# Safe-IT Display Mounts

Powering and Connecting Your World

## Promote Safer, More Comfortable Viewing



*Tripp Lite's Safe-IT display mounts support improved ergonomics and a healthier viewing environment.*

### Perfect for:

Professional AV, high-end gaming, WFH, medical offices, corporate and education.

Tripp Lite's Safe-IT™ display mounts with antimicrobial tape free up space and improve screen-viewing angles from desktops, the sides of desks and walls. Included antimicrobial tape attaches to their handles to help protect against harmful germs in high-touch environments. The mounts accommodate one, two or three screens up to 35 in. and up to 22 lb. each. With one-touch adjustment, you can easily set the best screen orientation, height and tilt for an optimal viewing experience.

## Key Benefits

### USER-FRIENDLY ADJUSTABILITY

- Control handle moves smoothly for precise, effortless positioning
- Swivel, tilt, rotate and screen level adjustments optimize viewing angles
- Extended-reach (DWMLARM1732AM) and desk-clamp (DMPDD1735AM and DMPDT1732AM) models have a spring arm with adjustable tension
- Extended-reach mount fully extends up to 69 in. from the wall

### ANTIMICROBIAL PROTECTION

- Included antimicrobial tape is applied to the handle to help resist the growth of bacteria, viruses, fungi, mold and mildew

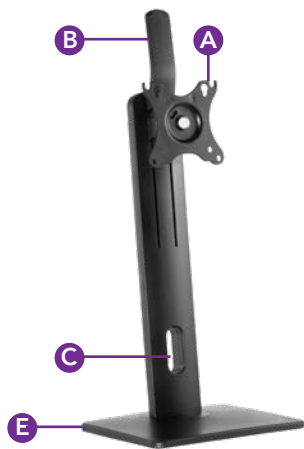
### DISPLAY COMPATIBILITY

- VESA-compliant mounting hole patterns are compatible with displays from most manufacturers for hassle-free mounting
- Mounts accommodate display screen sizes up to 35 in. and weights up to 22 lb.

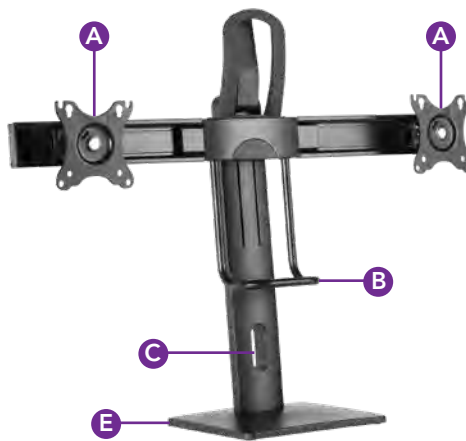
### CONVENIENT CONNECTION OF PERIPHERALS

- Desk-clamp mounts (DMPDD1735AM and DMPDT1732AM) have USB pass-through ports to allow quick connection of peripherals at desk level, eliminating the hassle of reaching ports on a difficult-to-access CPU
- Mounts feature either cable management slots or cable management covers that reduce cable clutter

## Feature Focus



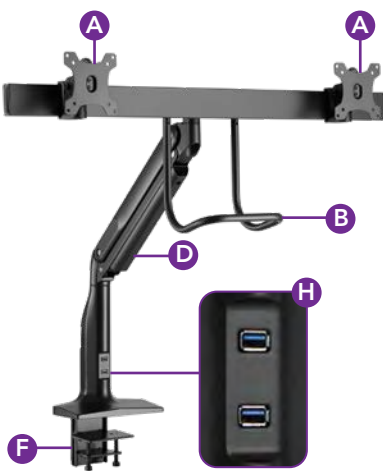
Model: DDV1732AM



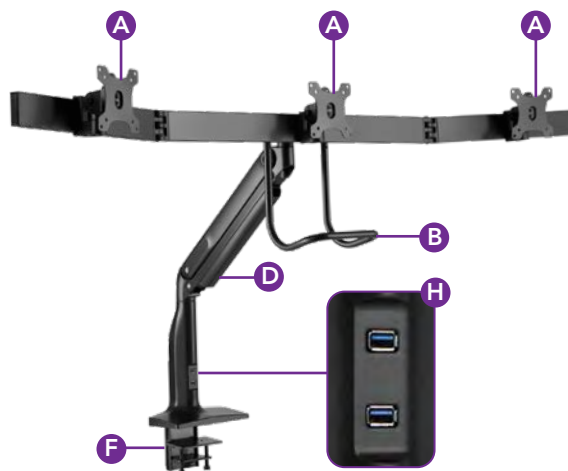
Model: DDVD1727AM

- A** Universal Mounting Bracket
- B** Control Handle with Antimicrobial Tape\*
- C** Cable Management Slot
- D** Cable Management Cover
- E** Desktop Stand
- F** Desk Clamp
- G** Wall-Mounting Plate
- H** USB Pass-Through Ports

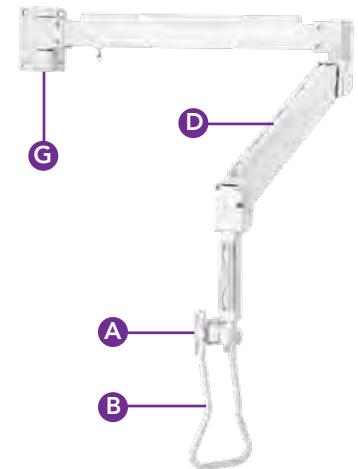
\*Users must apply the included antimicrobial tape.



Model: DMPDD1735AM



Model: DMPDT1732AM



Model: DWMLARM1732AM



## SPECIFICATIONS

Model	DDV1732AM	DDVD1727AM	DMPDD1735AM	DMPDT1732AM	DWMLARM1732AM
Mount Style	Desktop	Desktop	Desk-Clamp	Desk-Clamp	Wall
Antimicrobial Protection	Yes	Yes	Yes	Yes	Yes
Quantity of Supported Displays	1	2	2	3	1
Supported Screen Sizes	17 to 32 in.	17 to 27 in.	17 to 35 in.	17 to 32 in.	17 to 32 in.
Max. Supported Display Weight (Per Display)	15.4 lb. (7 kg)	13.2 lb. (6 kg)	22 lb. (10 kg)	14 lb. (6.4 kg)	17.6 lb. (8 kg)
Display Orientation	Portrait or Landscape	Portrait or Landscape	Portrait or Landscape	Portrait or Landscape	Portrait or Landscape
USB Pass-Through Ports	—	—	Yes	Yes	—
VESA Mounting Patterns	75 x 75; 100 x 100	75 x 75; 100 x 100	75 x 75; 100 x 100	75 x 75; 100 x 100	75 x 75; 100 x 100
Unit Dimensions (H x W x D)	22.4 x 9.5 x 7.9 in. (569 x 241 x 200 mm)	22.4 x 26.6 x 7.9 in. (569 x 675 x 200 mm)	27.1 x 35.9 x 8.9 in. (688 x 911 x 225 mm)	65.2 x 23.5 x 34.9 in. (1656 x 597 x 887 mm)	74.4 x 5.7 x 64.2 in. (1890 x 144 x 1630 mm)
Unit Weight	2.9 lb. (1.3 kg)	4.5 lb. (2 kg)	8.9 lb. (4 kg)	10.5 lb. (4.8 kg)	11.9 lb. (5.4 kg)

Display mounts have a 5-year limited warranty and comply with RoHS standards.

Learn more about Tripp Lite's full line of display mounts at [triplite.com](http://triplite.com).



Manufacturing Excellence.



Tripp Lite Corporate Headquarters  
1111 West 35th Street, Chicago, IL 60609 USA  
773.869.1773 | [triplite.com](http://triplite.com)