

8

7

6

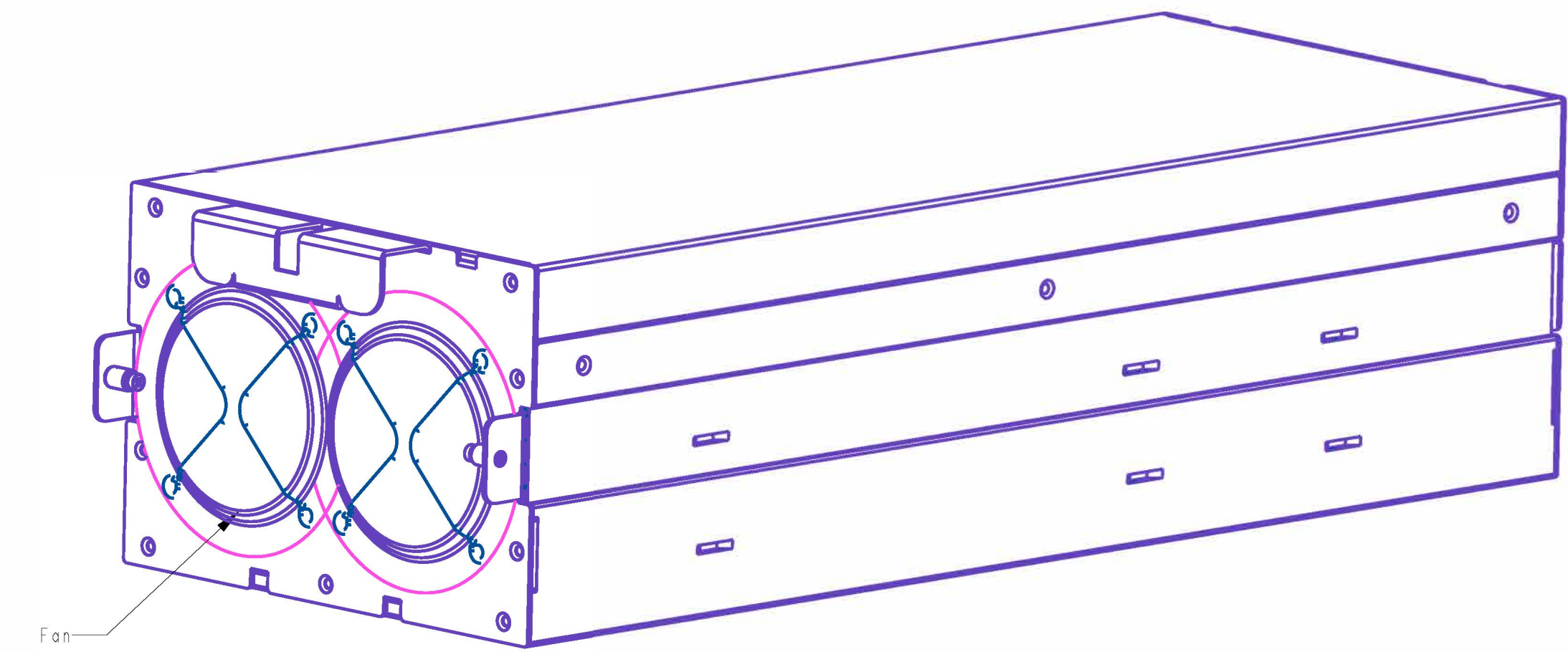
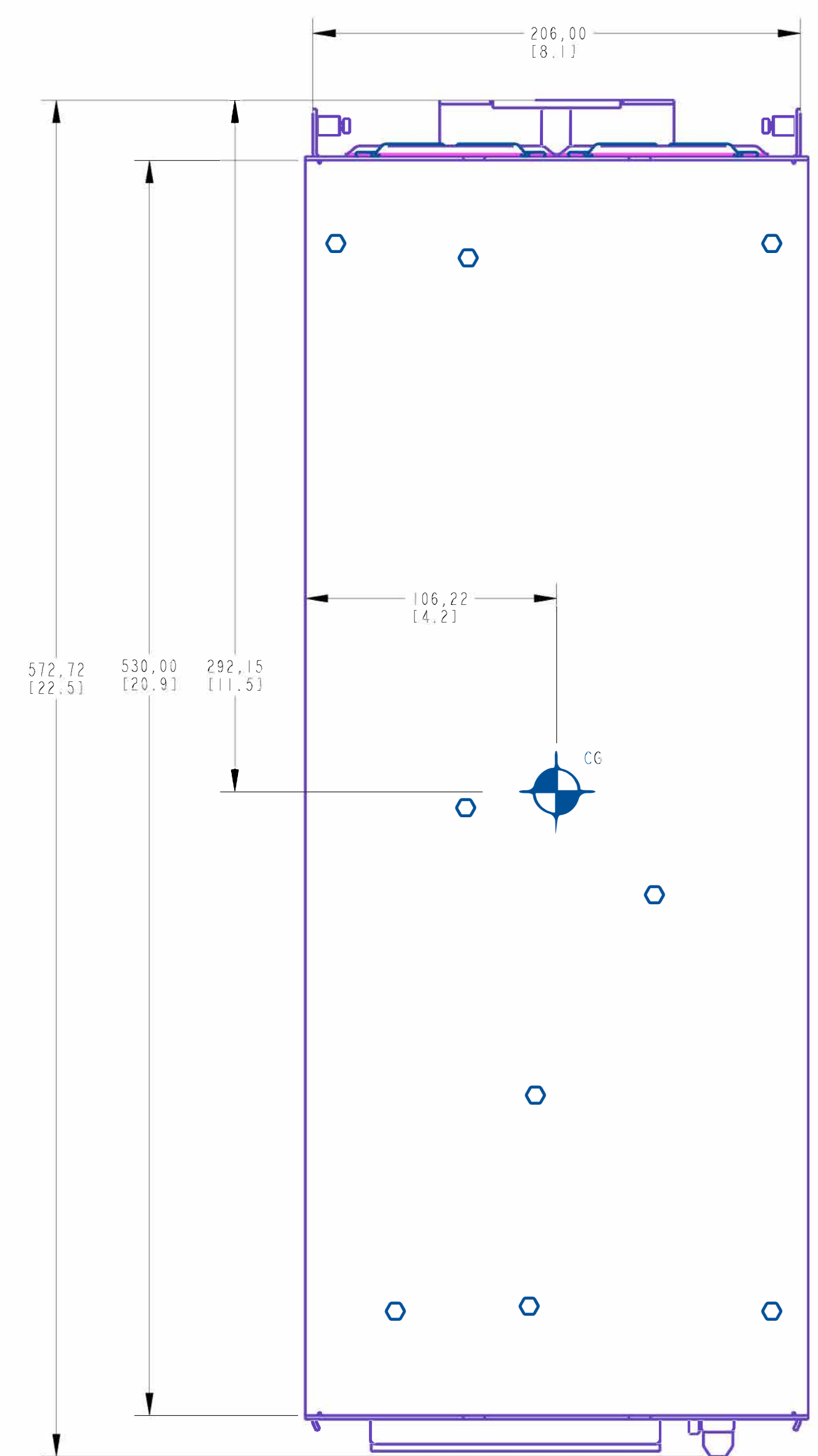
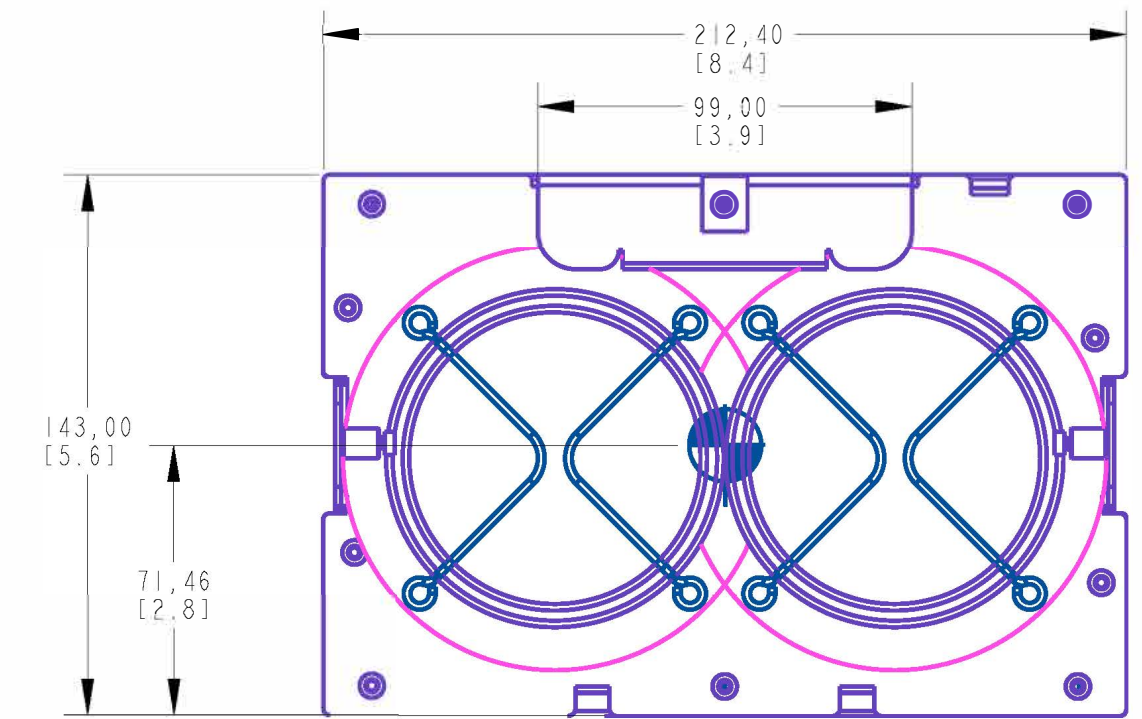
5

4

3

2

1



Notes  
WEIGHT 22.5 lbs

**9PXMSPPM – Power Module**

- Power Module is rated for up to 4kVA / 3.6 kW
- Each Power Module shall contain a 5A internal charger

**9PXMCHGR – Super Charger Module**

- Super Charger shall be provide up to 20A of charging current

THIRD ANGLE PROJECTION	DATE (DDMMYY)	NAME (SHORT NUMBER)	REVISION:	<b>EATON</b>
DESCRIPTION:		9PXMSPPM / 9PXMCHGR	SIZE:	D
GI101114H Tr:	JH	02/01/22	SEE NOTES FOR TOLERANCES DIM AS IN THE DIMENSIONS AFTER PLATING INTERPRET DIM AND TOL. PER ASME Y14.3-2018	SCALE: 0.500
MODIFIED BY:			ECO:	SHEET: 1 OF 1
<small>           EATON CORPORATION - COMMERCIAL AND INDUSTRIAL DIVISION - NOTICE TO CUSTOMERS RECEIVING THIS DOCUMENT: EATON TECHNICAL INFORMATION            IS UNCLASSIFIED AND IS NOT TO BE RELEASED TO THE PUBLIC OR TO ANY OTHER ENTITY WITHOUT THE WRITTEN PERMISSION OF EATON CORPORATION.            EATON CORPORATION AND EATON BRANDS ARE REGISTERED TRADEMARKS OF EATON CORPORATION. © 2022 EATON CORPORATION. ALL RIGHTS RESERVED.         </small>				

8

7

6

5

4

3

2

1