



Eaton 5P rackmount UPS

Enterprise class battery backup for network closets and small data centers

Flexibility: The Eaton® 5P is available in space saving 1U and 2U rackmount configurations.

Efficiency: The 5P provides industry leading efficiency of up to 99 percent.

Manageability:

- **UPS management:** By integrating Eaton's Intelligent Power Manager® Software you can monitor and manage the power devices on your network.
- **Energy metering:** The 5P meters energy consumption at the UPS level.

LCD display: Eaton's next-generation LCD offers a graphical interface which provides all critical UPS information in a single screen view.

More power: The 5P protects more devices by providing 20 percent more wattage compared to traditional UPSs.

Battery life: Eaton's exclusive ABM® technology increases battery service life by 50 percent.

Intelligent Power Manager Software

By integrating software with the Eaton 5P, you can:

- Seamlessly integrate with VMware's vCenter Server™ virtualization management solution, as well as virtualization platforms such as Citrix® XenServer, Microsoft SCVMM™, Red Hat® and other Xen® open source platforms
- Initiate live migration of virtual machines (VM) to automatically and transparently migrate VMs during power disruptions to unaffected devices with systems such as VMware vMotion™ and Microsoft Live Migration
- Execute graceful shutdown of computers and virtual machines/servers during an extended power outage

To learn more, please visit: Eaton.com/intelligentpower

Services and support

Eaton provides product support 24 hours a day, 7 days a week. From battery replacement to full UPS service plans, Eaton has one of the top service models in the industry.

Three-year warranty

The 5P warranty covers both the UPS and the batteries for three years. No other manufacturer in the industry offers as comprehensive a warranty.



5P RACKMOUNT MODEL SELECTION GUIDE*

Catalog number	Rating (VA/watts)	Input connection	Output receptacles	Dimensions (H x W x D), in	Net weight, lb
2U Rackmount, 120V, 50/60 Hz models**					
5P1500RT	1440/1440	5-15P	(8) 5-15R	3.4 (2U) x 17.4 x 20.6	65.0
5P2200RT	1950/1920	5-20P	(8) 5-15R	3.4 (2U) x 17.4 x 20.6	65.0
5P3000RT	3000/2700	L5-30P	(6) 5-20R, (1) L5-30R	3.4 (2U) x 17.4 x 25.5	87.0
1U Rackmount, 120V, 50/60 Hz models					
5P550R	550/420	5-15P	(5) 5-15R	1.7 (1U) x 17.2 x 14.3	17.8
5P750R	750/600	5-15P	(5) 5-15R	1.7 (1U) x 17.2 x 20.0	30.6
5P1000R	1000/770	5-15P	(5) 5-15R	1.7 (1U) x 17.2 x 20.0	32.5
5P1500R	1440/1100	5-15P	(5) 5-15R	1.7 (1U) x 17.2 x 21.8	43.5
1U Global Rackmount, 208/230V, 50/60 Hz models					
5P850GR	850/600	C14	(4) C13	1.7 (1U) x 17.2 x 20.0	30.4
5P1550GR	1550/1100	C14	(6) C13	1.7 (1U) x 17.2 x 21.8	42.7

*Due to continuous product improvement programs, all specifications are subject to change without notice.

Please visit Eaton.com/5Prm to view complete and updated product specifications, including complete battery runtimes.

**Catalog numbers that end in RT can be used in both rackmount or tower configurations.

Options

Connectivity	Catalog number	For use with
Network Card-MS	NETWORK-MS	All models
Relay / Serial Interface Card	RELAY-MS	All models
Environmental Monitoring Probe	116750224-001	All models (requires Network Card-MS)
Mounting hardware		
1U two-post rail kit (optional)	RK2PA	All 1U models except 5P550R
2U two-post rail kit (optional)	103007018-5591	All 2U models
Power distribution & bypass		
HotSwap Maintenance Bypass (MBP) The HotSwap Maintenance Bypass allows you to exchange or service the UPS without shutting down the connected load	EHBPL1500R-PDU1U	5P550R, 5P750R, 5P1000R, 5P1500R, 5P1500RT
	EHBPL2000R-PDU1U	5P2200RT
	EHBPL3000R-PDU1U	5P3000RT

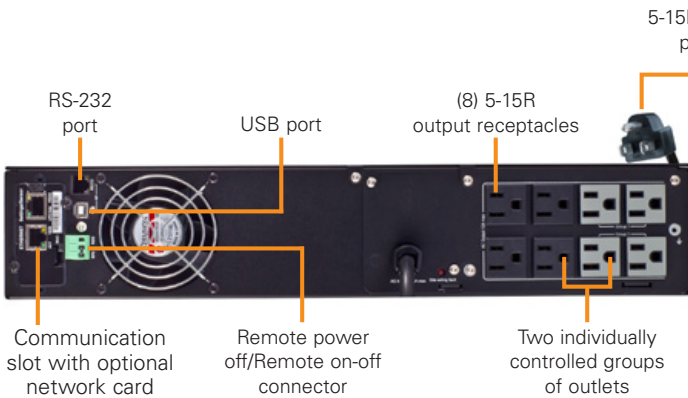
What's in the box

- User manual CD
- Intelligent Power Software Suite CD
- Quick start guide
- Four-post rail kit (5P550R ears only)
- Extra wall mounting ear (5P1500R & 5P1550GR)
- USB cable
- RS-232 cable
- Phillips head screw driver (2U models only)

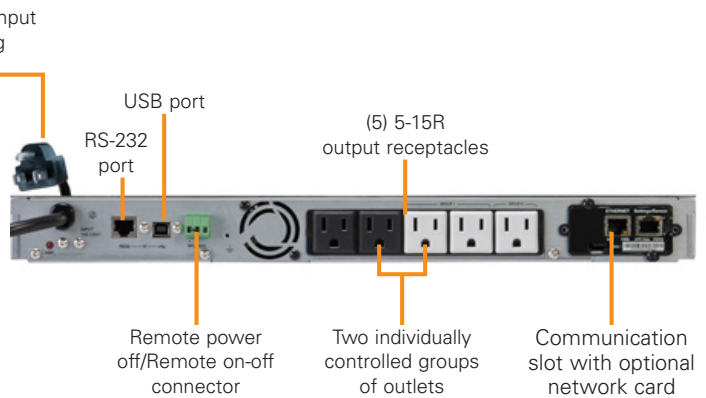
G models only

- 2 IEC-to-IEC jumper cables
- Output cable locking system
- Input cable locking system

5P 2U rear panel



5P 1U rear panel



To interact with the Eaton 5P rackmount UPS, please visit: Eaton.com/5Prm



Eaton
 1000 Eaton Boulevard
 Cleveland, OH 44122
 United States
 Eaton.com
Eaton.com/powerquality

© 2019 Eaton
 All Rights Reserved
 Printed in USA
 BR15309EN / GG
 January 2019

Eaton, Intelligent Power Manger and ABM are registered trademarks.

All other trademarks are property of their respective owners.

Follow us on social media to get the latest product and support information.

